

Key Switches



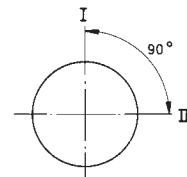
Specifications:

Contact rating:	max. 20 V DC, 0,4 W
Contact resistance:	< 200 mΩ
Insulation resistance:	> 100 MΩ at 100 V DC
Dielectric strength:	250 V, 50 Hz for the duration of 1 minute
Operating temperature:	- 25° to + 70° C
Mechanical life:	minimum 10 000 operations
Contacts:	gold-plated
Terminals:	PC terminals, brass, silver-plated
Material:	case: PBT, black key: brass, nickel-plated; grip: plastic
Mounting:	on pc-board
Soldering conditions:	auto-soldering – max.: 3 sec, 245° C ± 10° C

Models:	Switching functions	Key positions		
		I	II	III
S P D T				
		O = Key removable X = Key not removable		

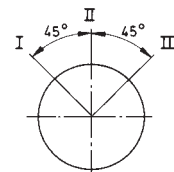
Step angle 90°

MRK 1012 A	on	–	on	O	O
MRK 1012 B	on	–	on	O	X
MRK 1022 B	on	–	mom	O	X
MRK 1012 A – R	on	–	on	O	O
MRK 1012 B – R	on	–	on	O	X
MRK 1022 B – R	on	–	mom	O	X

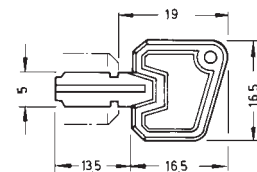


Step angle 45°

MRK 1031 D	on	on	on	O	O	O
MRK 1031 L	on	on	on	X	O	X
MRK 1041 L	mom	on	mom	X	O	X
MRK 1031 D – R	on	on	on	O	O	O
MRK 1031 L – R	on	on	on	X	O	X
MRK 1041 L – R	mom	on	mom	X	O	X



2-pole switches and further key positions on request.



Switches are always supplied with 2 keys.

Key Switches

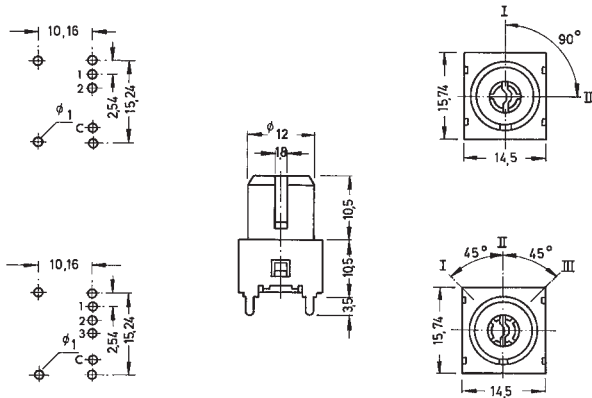


Models:

S P D T

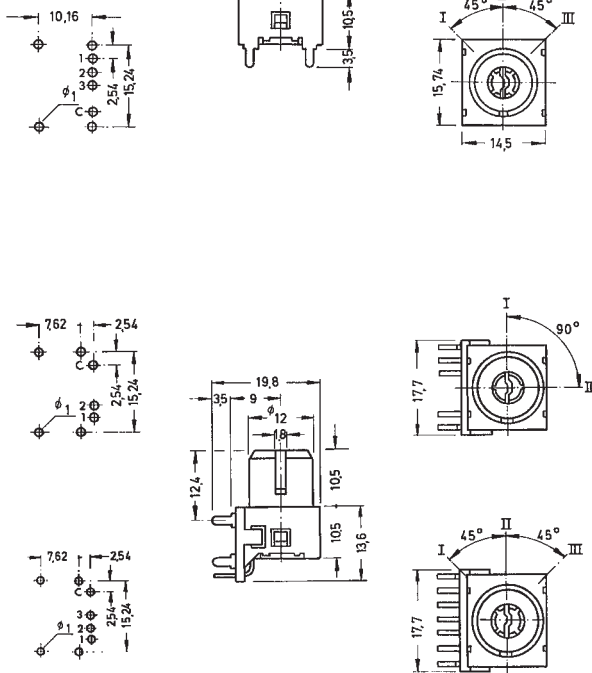
Step angle 90°

- MRK 1012 A
- MRK 1012 B
- MRK 1022 B



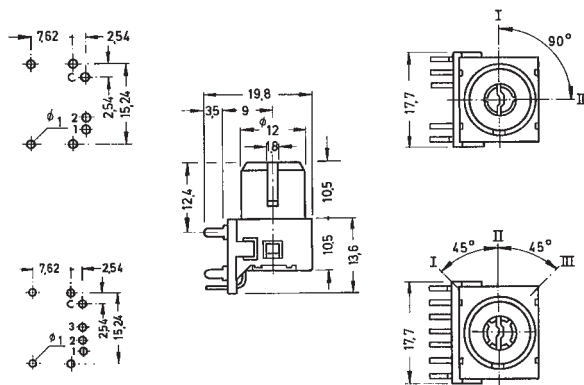
Step angle 45°

- MRK 1031 D
- MRK 1031 L
- MRK 1041 L



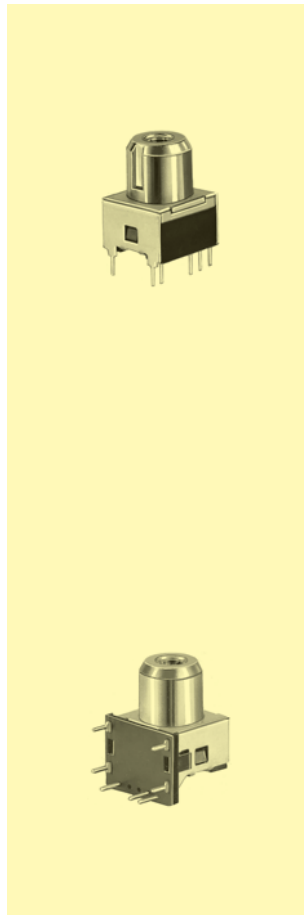
Step angle 90°

- MRK 1012 A - R
- MRK 1012 B - R
- MRK 1022 B - R



Step angle 45°

- MRK 1031 D - R
- MRK 1031 L - R
- MRK 1041 L - R

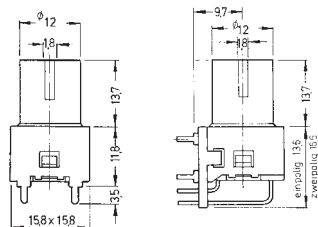


Special versions:*

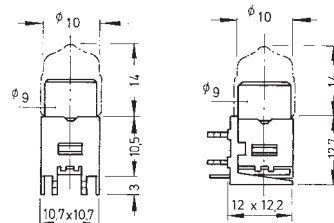
Key switch with security casing:

Key switch with plastic case and plastic key

Type:
MRKC



Type:
MRKS



*Minimum quantity and delivery time on request