

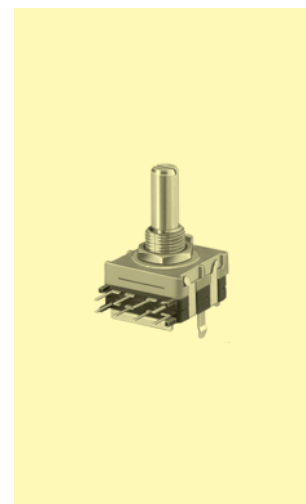
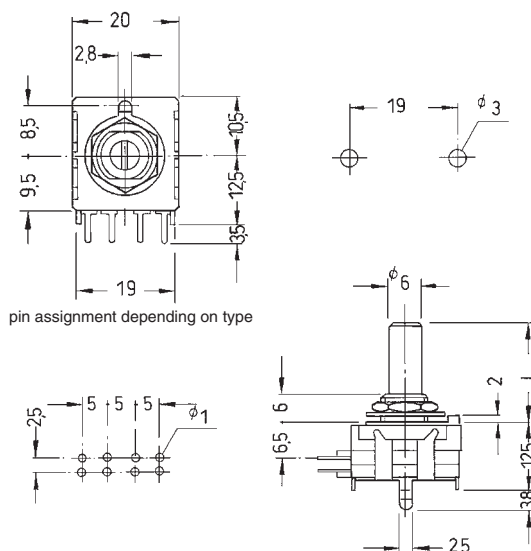


# Miniature Rotary Coded Switches

## Specifications:

Contact rating:	15 V DC, 100 mA
Contact resistance:	< 50 mΩ
Insulation resistance:	> 100 MΩ at 500 V DC
Dielectric strength:	250 V, 50 Hz for the duration of 1 minute
Operating temperature:	- 20° to + 80° C
Mechanical life:	minimum 10 000 operations
Contacts:	combination of silver- and gold-plated
Material:	case: PBT with glass fibre 30%; shaft: aluminium
Mounting:	on pc-board or front panel, bushing M 9 x 0,75, key 12 mm
Soldering conditions:	max.: 3 sec, 230° C ± 5° C

**Models:**  
DRS 20



Ordering code:

