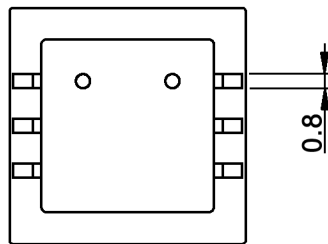
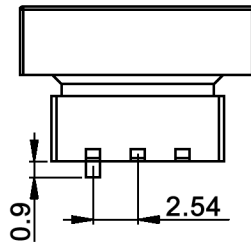
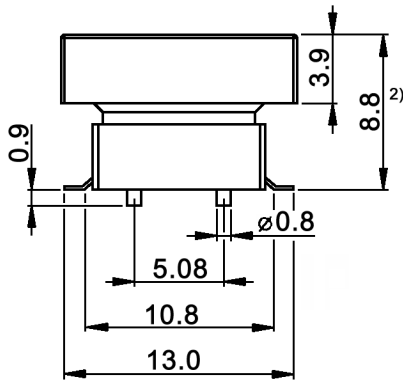
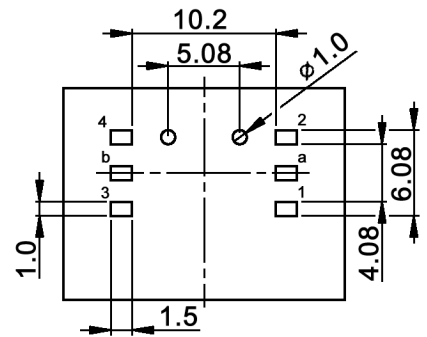


Drawing shown with cover.
Add cover not before reflow soldering.

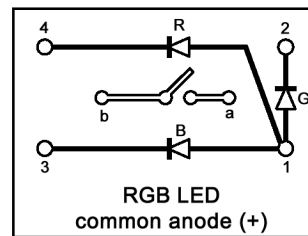
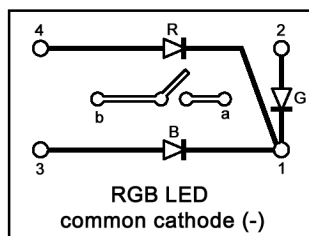
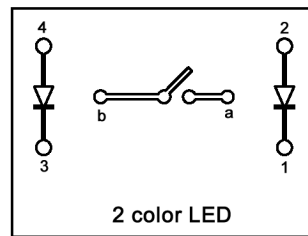
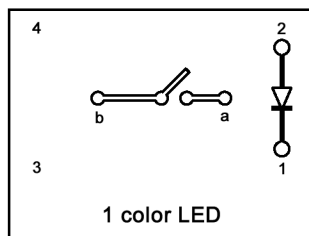
- 1) 13.4 with cover; 12.0 without cover
- 2) 8.8 with cover; 8.0 without cover



P.C.B. LAYOUT



CIRCUIT DIAGRAM



Tolerances: 0.00: ±0.05mm 0.0: ±0.2mm	Date	Name
	09/09	dr

TSSL 12 WXZ

knitter-switch

30 19 27

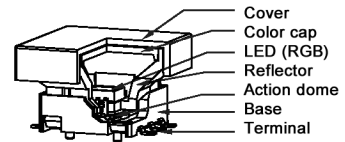
Page

1/2

Modifications Date Name

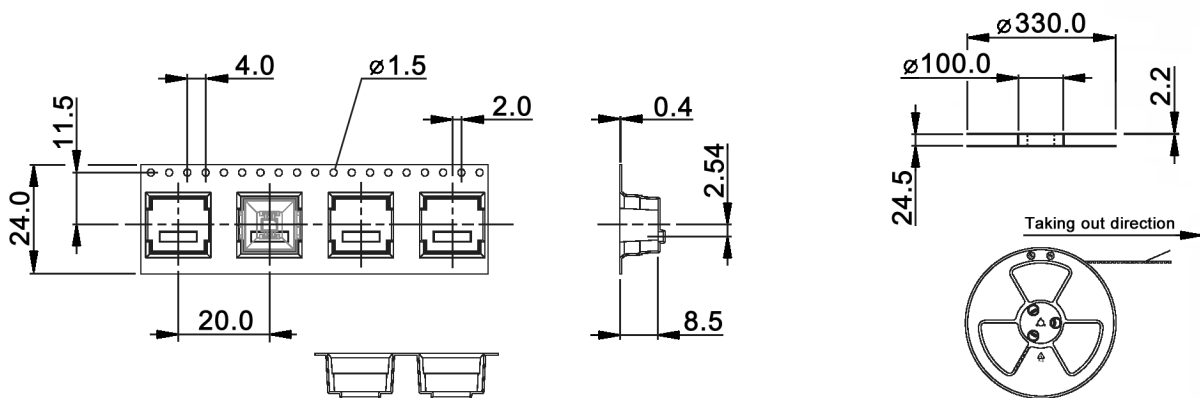
Specifications:

Contact rating: 50mA, 12V DC
 Contact resistance: 100mOhm max.
 Insulation resistance: 100MOhm min.
 Operating temperature: -10°C to +60°C
 Mechanical life: 1 000 000 cycles
 Operating force: 220 +/-50gf
 Soldering conditions: 260°C, 3sec.
 Total travel: 0.3 +/-0.1mm
 Material: Cover: polycarbonate
 Reflector: polyamide
 Base: LCP
 Action dome: stainless steel, silver plated
 Terminal: phosphor bronze, gold plated



w	LED color	x	Cap color	z	Cover style & color
00	no LED	R	red	empty	no cover
RE	red	Y	yellow	FC	flat, clear
YE	yellow	G	green	FW	flat, white
GN	green	W	white	FM	flat, milky
PG	pure green	T	transparent	RL	round, low
WH	white	O	orange	RH	round, high
BL	blue	B	blue	SL	square, low
RB	red and blue			SH	square, high
3C	RGB, common cathode			TC	triangle, clear
3A	RGB, common anode				

Packaging:



Packaging unit: 350 pcs. / reel



Tolerances: 0.00: ±0.05mm 0.0: ±0.2mm	Date	Name
	09/09	dr
Modifications	Date	Name

TSSL 12 WXZ

knitter-switch

30 19 27

Page

2/2