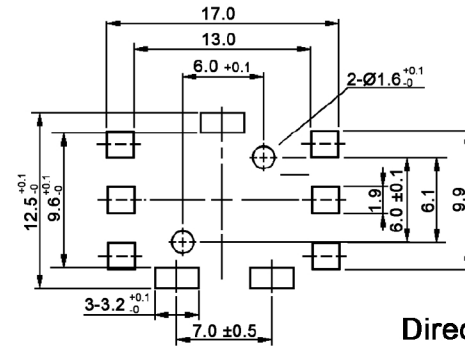


P.C.B. SOLDER LAND DIMENSION



Direction

Connection

A

1 = 4

B

1 = 2

C

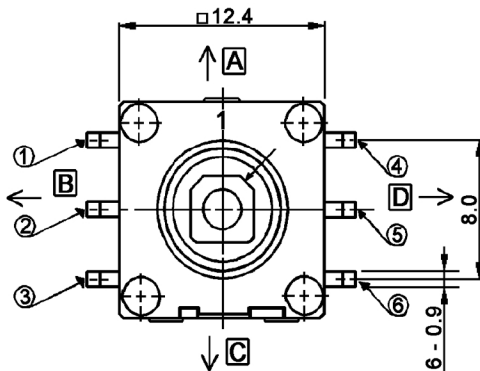
1 = 6

D

1 = 5

E (push)

1 = 3



Specification:

Contact rating: 15V DC, 20mA  
 Contact resistance: 100mOhm max  
 Insulation resistance: 100MOhm min  
 Dielectric strength: 100V AC for the duration of 1 minute  
 Operating temperature: -40°C to +85°C  
 Operating force: center push: 500gf ±150gf  
 4-directional: 280gf ±100gf  
 Operating travel: lever: 8° ±2°  
 push: 1.0 ±0.2 mm



Tolerances: ±0.3mm		Date	Name	<h1>TSSJ 30</h1>
		06/04	us	
Stem shape	06/10	dr	<b>knitter-switch</b>	<h1>30 04 61</h1>
Operating temperature	08/07	dr		
Packaging	11/05	dr		
Modifications	Date	Name		Page 1/2

