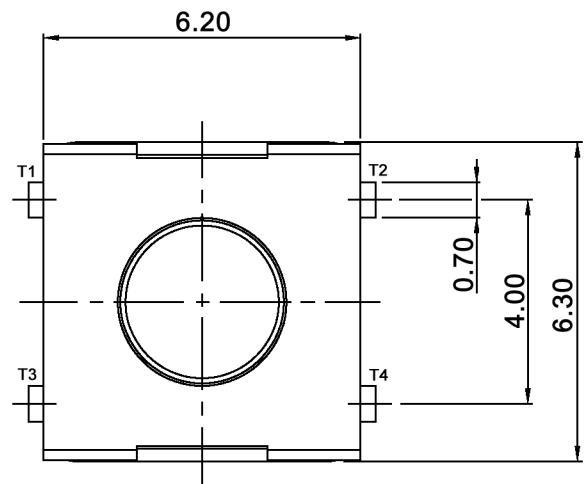
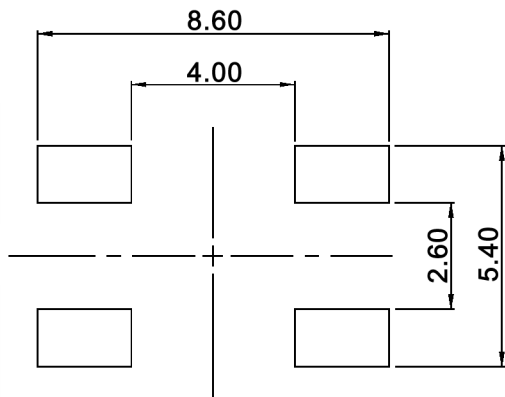
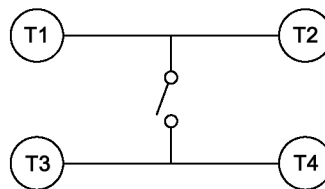


P.C.B. LAYOUT



CIRCUIT DIAGRAM



Tolerances: max. ±0.20mm			Date	Name
			12/10	dr
Modifications	Date	Name		

TSSE 69 x-J

knitter-switch

30 22 62

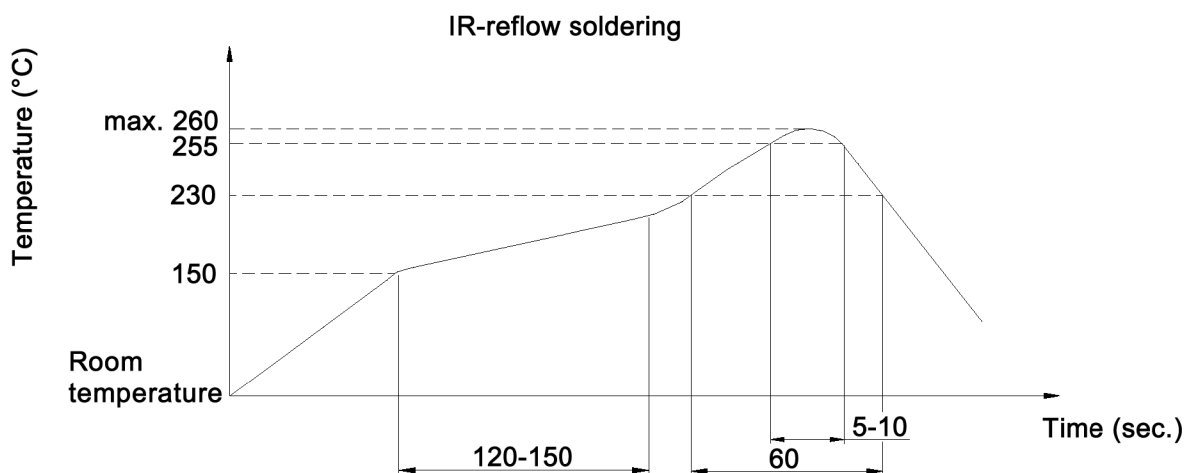
Page

1/2

Specifications:

Contact rating: 50mA, 12V DC
Contact resistance: 100mOhm max.
Insulation resistance: 100MOhm min. at 500V DC for 1 minute +/-5sec.
Dielectric strength: 250V AC (50/60Hz) for 1 minute
Operating temperature: -40°C to +85°C
Storage temperature: -40°C to +85°C
Electrical life: 500 000 cycles
Travel: 0.45 +/-0.20mm
Material: Cover: stainless steel
 Sealed rubber: silicone rubber
 Contact : stainless steel, silver plated
 Terminal: brass, silver plated
 Base: high-temp. thermoplastic nylon UL94V-0, molded black

Soldering conditions:



x	Operating force (gf)	Colour of stem
N	180 +/-50	brown
R	260 +/-70	red
T	360 +/-90	transparent
Y	520 +/-130	yellow



Tolerances: max. ±0.20mm			Date	Name	<h1>TSSE 69 x-J</h1>
			12/10	dr	
			knitter-switch		30 22 62
					Page
					2/2
Modifications	Date	Name			