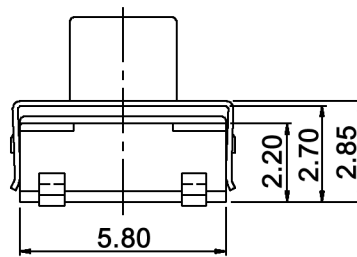
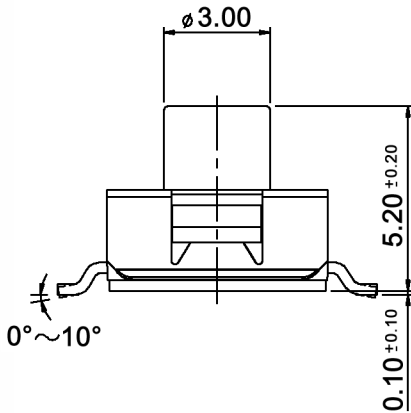
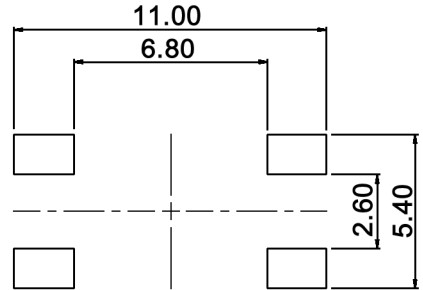
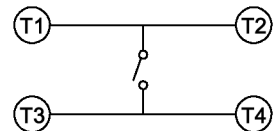


P.C.B. LAYOUT



CIRCUIT DIAGRAM



Specifications:

- Contact rating: 50mA, 12V DC
- Contact resistance: 100mOhm max.
- Insulation resistance: 100MOhm min. at 500V DC
- Dielectric strength: 250V, 50Hz for the duration of 1 minute
- Operating temperature: -40°C to +85°C
- Electrical life: min. 500 000 cycles
- Operating force: 360 +/-90gf
- Packaging: 900 pcs / reel
- Travel: 0.6 +/-0.2mm
- Switching function: off - mom
- Mounting: on PC-board-SMD
- Material: Contactcts: phosphor bronze, gold over nickel
Terminals: brass, gold over nickel
Cover: stainless steel
Base: PPA meets UL94V-0
Stem: silicon rubber



Tolerances: max. ±0.20mm	Date	Name
	05/08	dr
Modifications	Date	Name

TSSE 67 TB

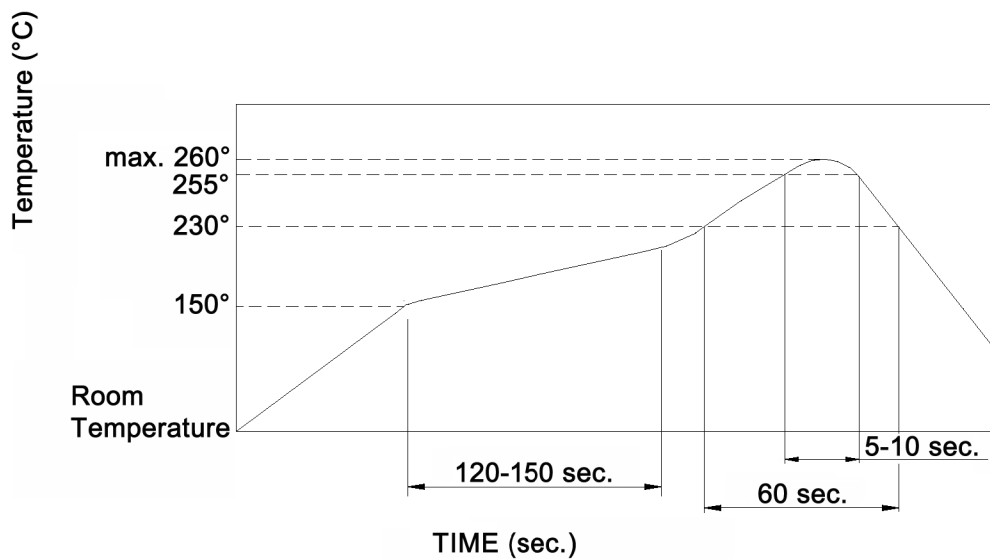
knitter-switch

30 14 78

Page

1/2

Soldering conditions:



Tolerances: max. $\pm 0.20\text{mm}$			Date	Name	<h1>TSSE 67 TB</h1>
			05/08	dr	
			knitter-switch		<h2>30 14 78</h2>
Modifications			Date	Name	Page 2/2