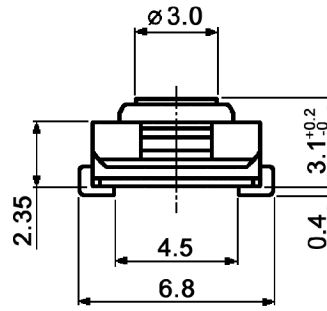
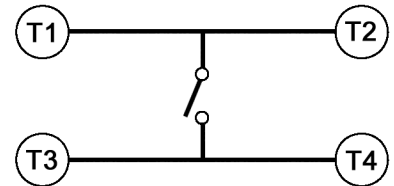
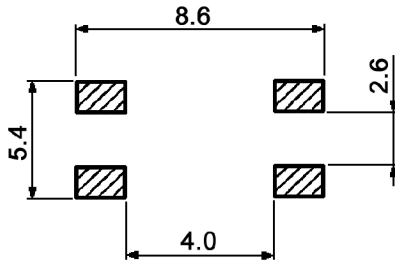


P.C.B. LAYOUT



CIRCUIT DIAGRAM

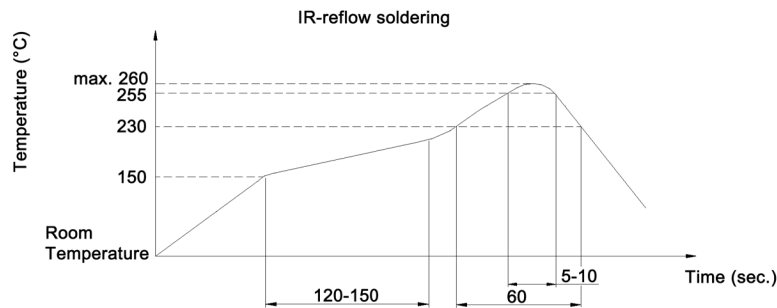


Specifications:

Contact rating: 50mA, 12V DC
 Contact resistance: 100mOhm max.
 Insulation resistance: 100MOhm min. at 500V DC
 Dielectric strength: 250V, 50Hz for the duration of 1 minute
 Operating temperature: -40°C to +85°C
 Electrical life: min. 100 000 cycles
 Operating force: see table
 Mounting: on pc-board - SMD
 Travel: 0.25mm +0.2/-0.1mm
 Material: Contacts: phosphor bronze, silver plated
 Terminals: brass, silver plated
 Cover: stainless steel
 Base: high-temp. thermoplastic nylon meets UL94V-0, washable
 Stem: nylon

x	Operating force	Stem colour
N	160 +/-50gf	brown
R	260 +/-70gf	red

Soldering conditions:



Tolerances:	Date	Name	<h1>TSSE 66 x-J</h1>
	08/05	dr	
Revised	03/10	dr	<h2>30 06 81</h2>
Specifications	01/09	dr	
Soldering conditons	12/08	dr	
Modifications	Date	Name	Page
			1/1