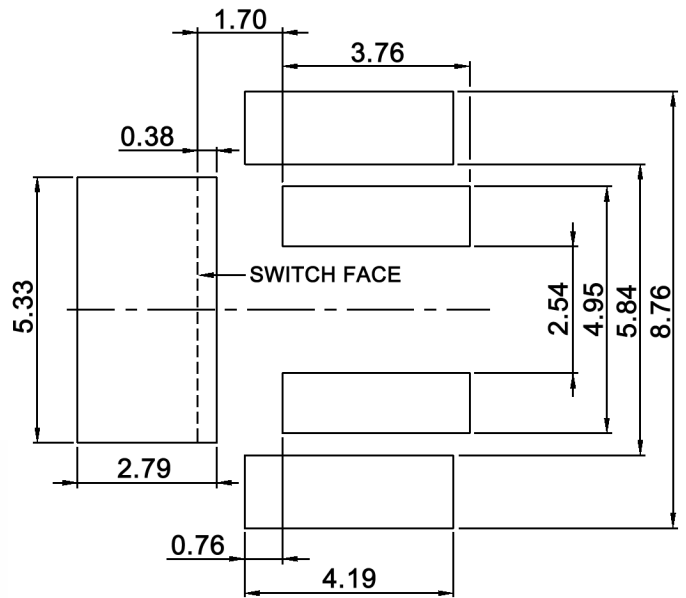
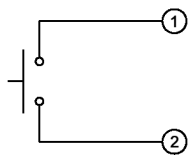


P.C.B. LAYOUT



CIRCUIT DIAGRAM



Tolerances: ±0.20mm max.			Date	Name
			07/08	dr
Modifications	Date	Name		

TSSE 643 S-RA-H

knitter-switch

30 15 44

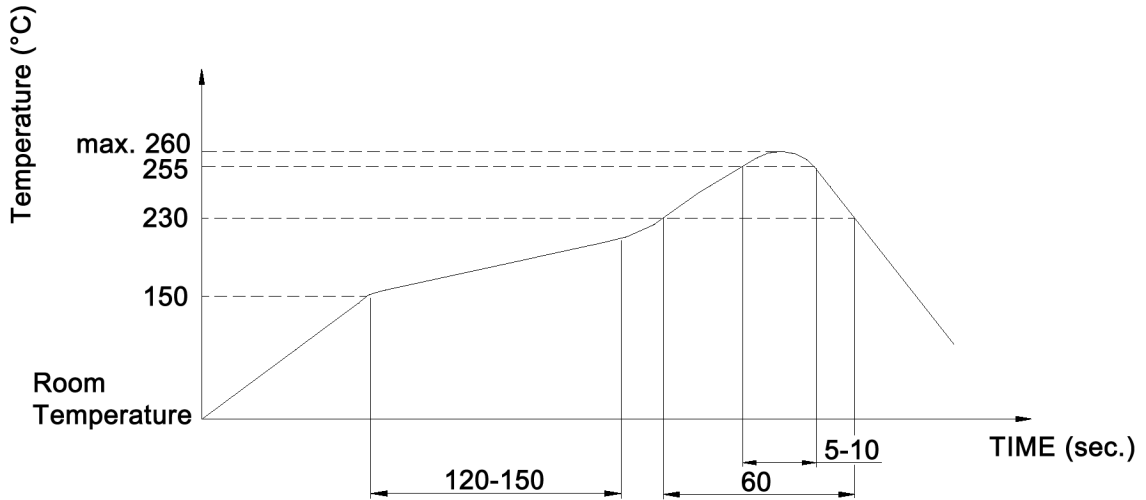
Page

1/2

Specifications:

Contact rating: 50mA, 12V DC
Contact resistance: 100mOhm max.
Insulation resistance: 100MOhm min. at 500V DC for 1 minute +/-5sec.
Dielectric strength: 250V AC (50/60Hz) for 1 minute
Operating temperature: -25°C to +70°C
Storage temperature: -30°C to +80°C
Mechanical life: 200 000 cycles
Operating force: 185 +/-50gf
Material: Cover: stainless steel, silver plated
 Stem: high-temp. thermoplastic nylon UL94V-0, white
 Contact: stainless steel, silver plated
 Block / base: high-temp. thermoplastic nylon UL94V-0, molded black
 Seal: silicone rubber
 Terminal: brass, silver plated

Soldering conditions:



Tolerances: ±0.20mm max.	Date	Name
	07/08	dr
Modifications	Date	Name

TSSE 643 S-RA-H

knitter-switch

30 15 44

Page

2/2