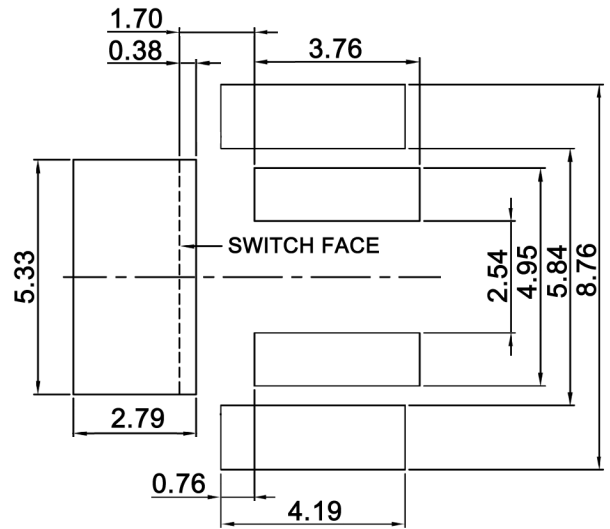


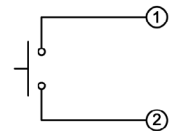
P.C.B. LAYOUT



Specifications:

- Contact rating: 50mA, 12V DC
- Operating temperature: -40°C to +85°C
- Storage temperature: -40°C to +85°C
- Mechanical life: 200 000 cycles
- Operating force: 260 +/-50gf
- Soldering conditions: max.: 260°C, 5sec.
- Material:
 - Cover / contact: stainless steel, silver plated
 - Stem: high-temp. thermoplastic nylon UL94V-0, color: red
 - Block: high-temp. thermoplastic nylon UL94V-0, molded black
 - Seal: silicone rubber
 - Base: high-temp. thermoplastic LCP, molded black
 - Terminal: brass, silver plated

CIRCUIT DIAGRAM



Tolerances: ±0.20mm	Date	Name
	08/07	rmg
Modifications	Date	Name

TSSE 640 R-RA-H

knitter-switch

30 12 31

Page

1/1