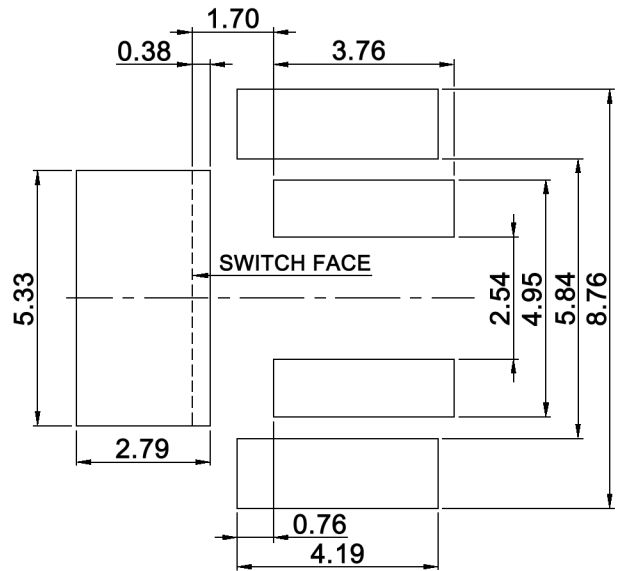
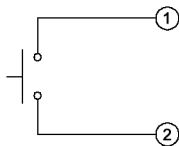


P.C.B. LAYOUT



CIRCUIT DIAGRAM



Tolerances: ≤ 10mm: ≥ 10mm: ±0.20mm	Date	Name
	07/07	dr
Contact rating	11/07	dr
Modifications	Date	Name

TSSE 633 SB-RA-1HW

knitter-switch

30 11 87

Page

1/2

Specifications:

Contact rating: 1.0VA max.; 32V DC max.
Contact resistance: 100mOhm max.
Insulation resistance: 100MOhm min. at 500V DC for 1 minute +/-5sec.
Dielectric strength: 250V AC (50/60Hz) for 1 minute
Operating temperature: -40°C to +85°C
Storage temperature: -40°C to +85°C
Mechanical life: 200 000 cycles
Operating force: 260 +/-50gf
Soldering conditions: max. 260°C, 5sec. max.
Material: Cover: stainless steel, silver plated
 Stem: high-temp. thermoplastic nylon UL94V-0, color: white
 Block: high-temp. thermoplastic nylon UL94V-0, molded black
 Seal: silicone rubber
 Base: high-temp. thermoplastic LCP, molded black
 Terminal: brass, gold plated
 Contact: stainless steel, gold plated



Tolerances: ≤ 10mm: ≥ 10mm: ±0.20mm	Date	Name	TSSE 633 SB-RA-1HW	30 11 87	Page
	07/07	dr			
			knitter-switch	30 11 87	2/2
Modifications	Date	Name			