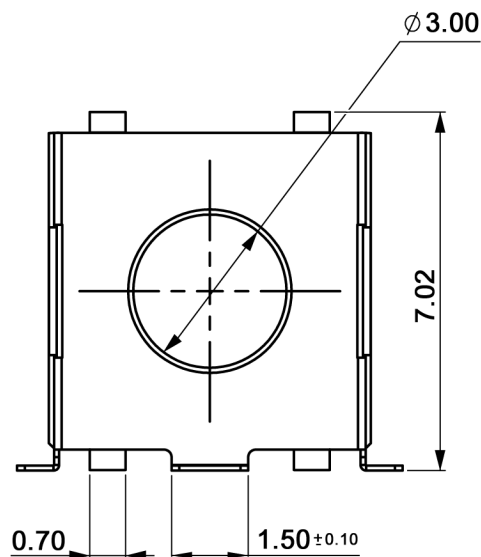
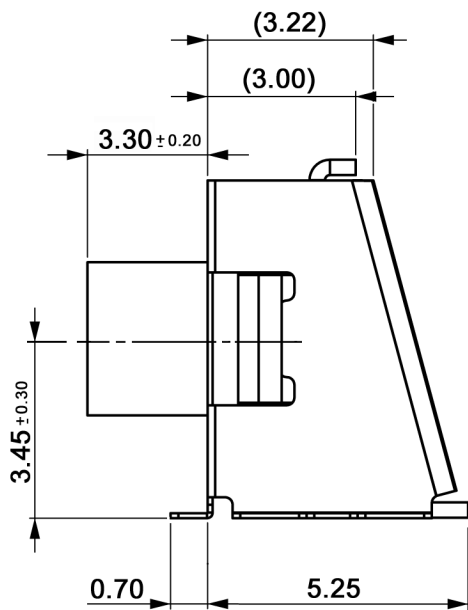
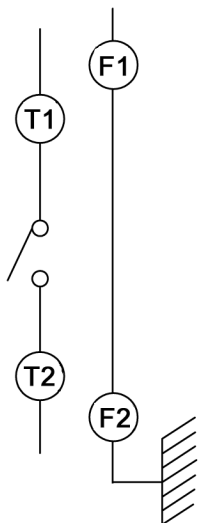
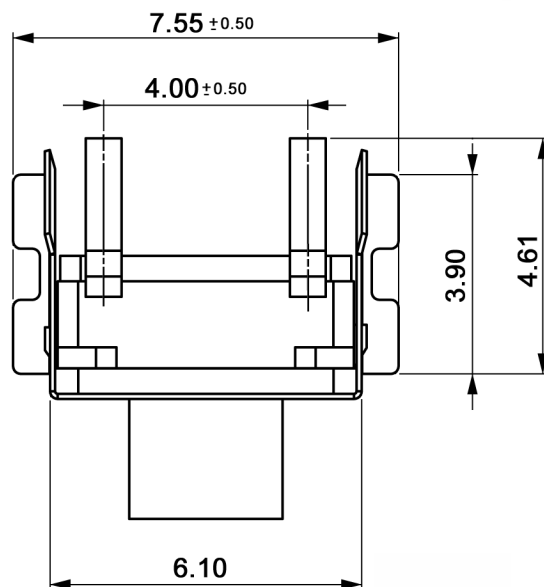
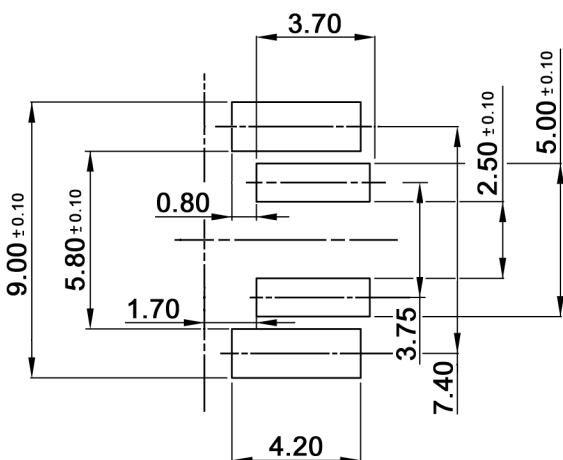


**CIRCUIT DIAGRAM**



**P.C.B. LAYOUT**



**Specifications:**

- Contact rating: 50mA, 12V DC
- Contact resistance: 100mOhm max.
- Insulation resistance: 100MOhm min. at 500V DC
- Dielectric strength: 250V AC (50Hz or 60Hz) for 1 minute
- Operating temperature: -25°C to +70°C
- Storage temperature: -30°C to +80°C
- Operating force: 180gf +/-50gf
- Mechanical life: 500 000 cycles
- Travel: 0.45 +/-0.2mm
- Material: Cover: nickel silver  
Sealed rubber: silicone rubber hardness 70°-60°, brown  
Contact: phosphor bronze, silver cladding  
Terminal: brass, silver plated  
Base: high-temp. thermoplastic PA9T UL94V-0, molded black



Tolerances: ±0.20mm	Date	Name
	12/05	dr
Travel	08/10	dr
Modifications	Date	Name

**TSSE 633 N-RA-1**

**30 07 52**

**knitter-switch**