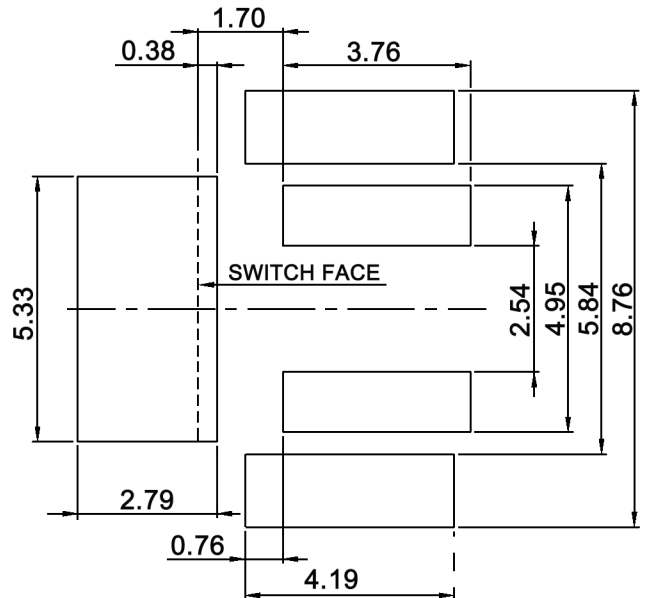
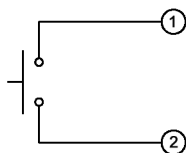


P.C.B. LAYOUT



CIRCUIT DIAGRAM



Tolerances: max. ±0.2mm			Date	Name
			12/07	dr
TAB	11/09	dr		
Modifications	Date	Name		

TSSE 628 R-RA-1H

knitter-switch

30 13 05

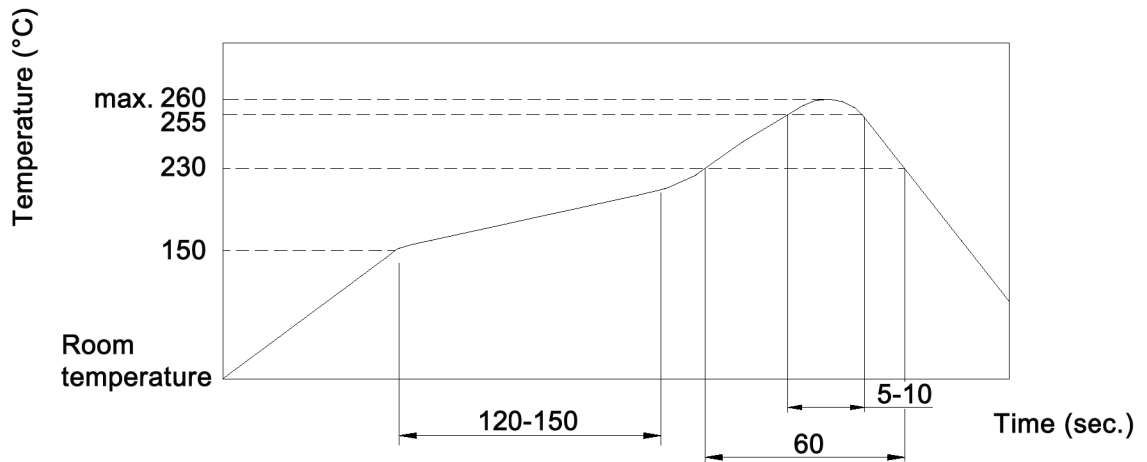
Page

1/2

Specifications:

Contact rating: 50mA, 12V DC
 Contact resistance: 100mOhm max.
 Insulation resistance: 100MOhm min. at 500V DC for 1 minute +/-5sec.
 Dielectric strength: 250V AC (50/60Hz) for 1 minute
 Operating temperature: -25°C to +70°C
 Storage temperature: -30°C to +80°C
 Mechanical life: 200 000 cycles min.
 Operating force: 260 +/-50gf (2.548 +/-0.49N)
 Stroke: 0.15mm min.
 Material: Cover: stainless steel, silver plated
 Stem: high-temp. thermoplastic nylon UL94V-0, color: red
 Contact: stainless steel, silver plated
 Block: high-temp. thermoplastic nylon UL94V-0, molded black
 Seal: silicone rubber
 Base: high-temp. thermoplastic LCP, molded black
 Terminal: brass, silver plated

Soldering conditions:



■ The condition mentioned above is the temperature on the Cu foil of the PCB surface. There are cases where board's temperature greatly differs from switch's surface be used not to allow switch's surface temperature to exceed 260°C.

■ **Manual soldering**

Soldering temperature	max. 350°C
Continuous soldering time	max. 5sec.

■ **Precautions in handling**

- Care should be exercised so that flux from the upper part of the printed circuit board does not adhere to the switch.
- Except for washable type do not wash the switch body.



Tolerances: max. ±0.2mm	Date	Name	TSSE 628 R-RA-1H	30 13 05	Page
	12/07	dr			2/2
			knitter-switch	30 13 05	
Modifications	Date	Name			