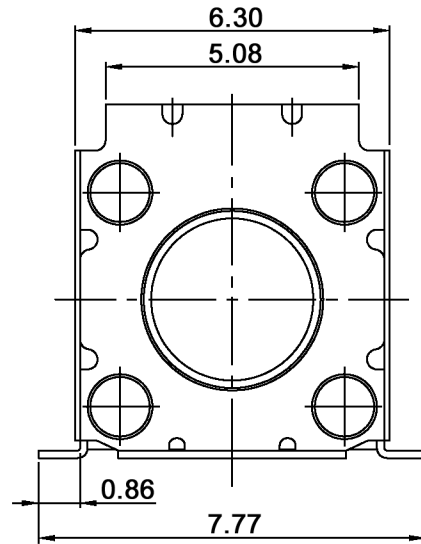
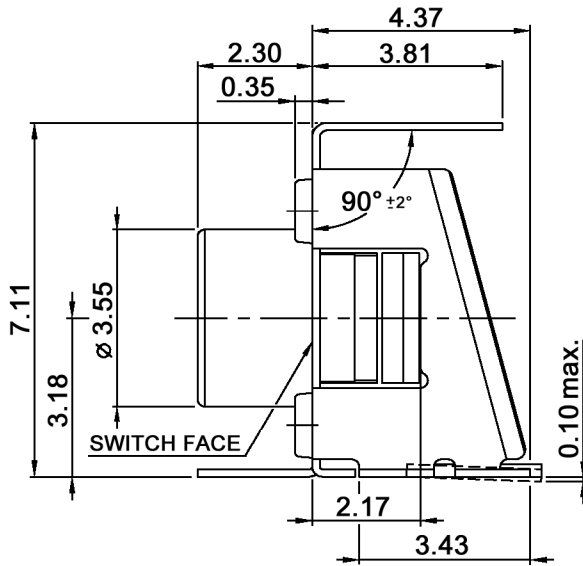
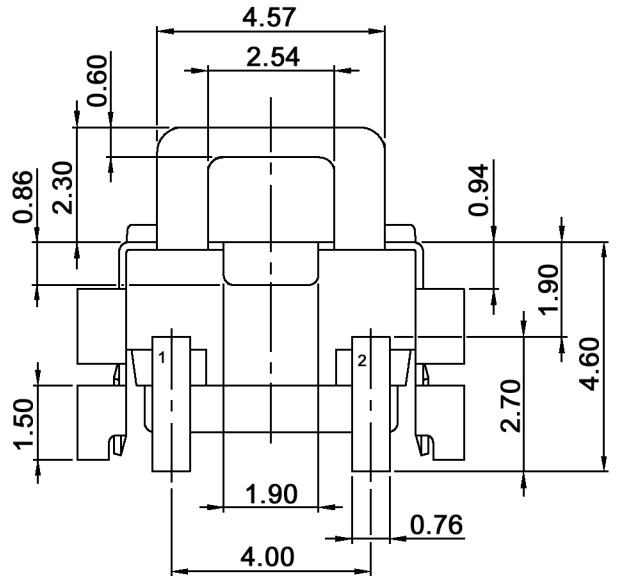
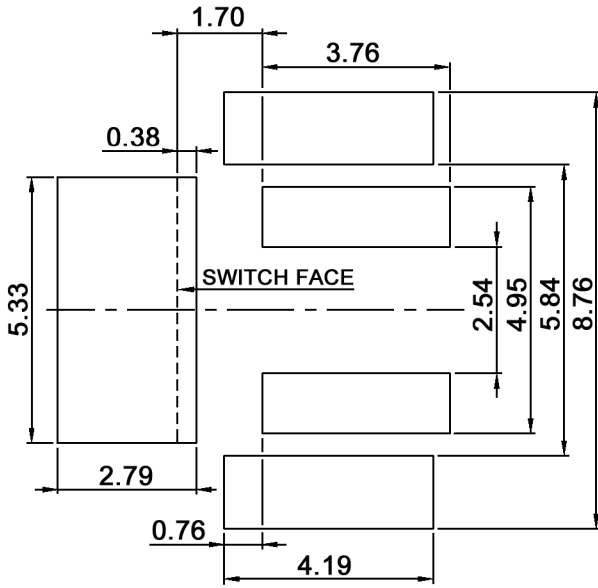
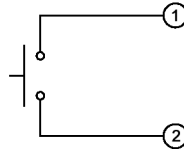


P.C.B. LAYOUT



CIRCUIT DIAGRAM



Tolerances: $\pm 0.20\text{mm}$		Date	Name
		11/05	dr
Temperatures	01/11	dr	
Revised	11/10	dr	
Travel	08/10	dr	
Modifications	Date	Name	

TSSE 623 R-RA-TAB

knitter-switch

30 07 33

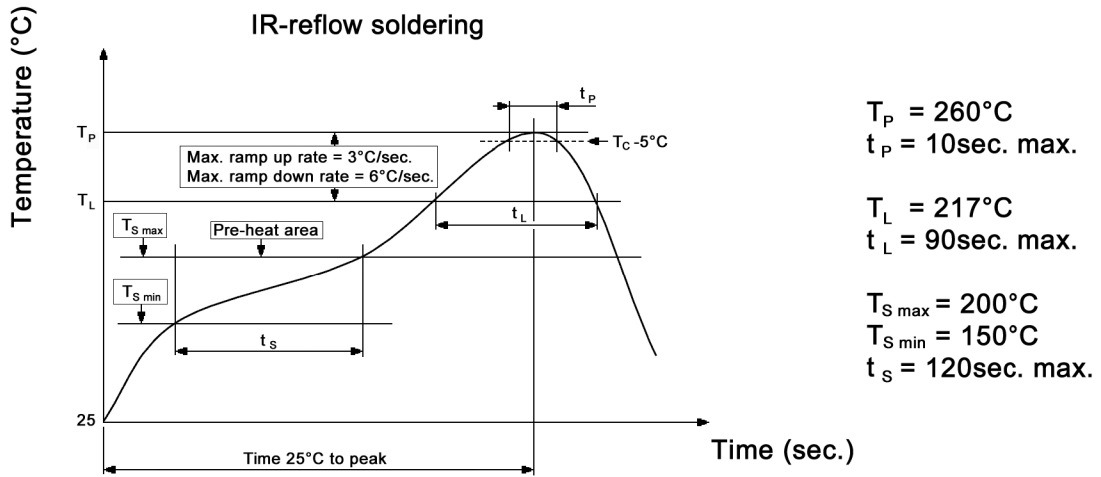
Page

1/3

Specifications:

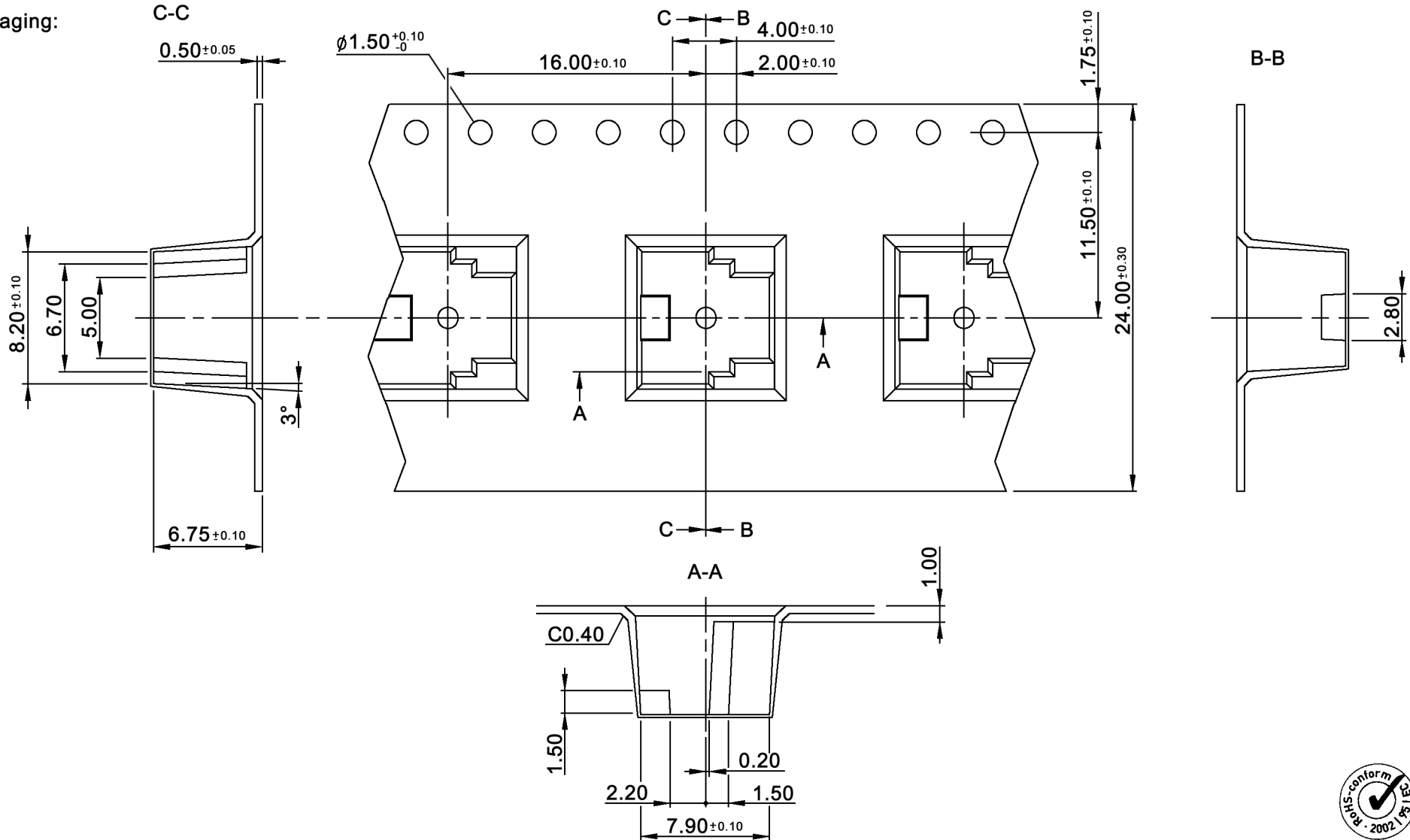
Contact rating: 50mA, 12V DC
 Contact resistance: 100mOhm max.
 Insulation resistance: 100MOhm min. at 500V DC
 Dielectric strength: 250V AC (50Hz or 60Hz) for 1 minute
 Operating temperature: -40°C to +85°C
 Storage temperature: -40°C to +85°C
 Operating force: 260 +/-70g
 Mechanical life: 500 000 cycles
 Travel: 0.45 +/-0.2mm
 Material: Cover / contact: stainless steel, silver plated
 Stem: silicone
 Base: high-temp. thermoplastic LCP, molded black
 Terminal: brass, silver plated

Soldering conditions:



Tolerances: $\pm 0.20\text{mm}$			Date	Name	<h1>TSSE 623 R-RA-TAB</h1>	<h2>30 07 33</h2>	Page 2/3
			11/05	dr			
			knitter-switch				
Modifications	Date	Name					

Packaging:



Tolerances: ± 0.10 mm			Date	Name
			11/05	dr
Modifications	Date	Name		

TSSE 623 R-RA-TAB

knitter-switch

30 07 33

Page
3/3