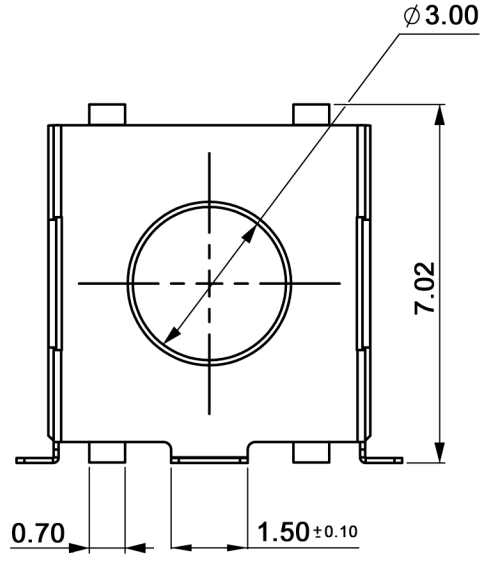
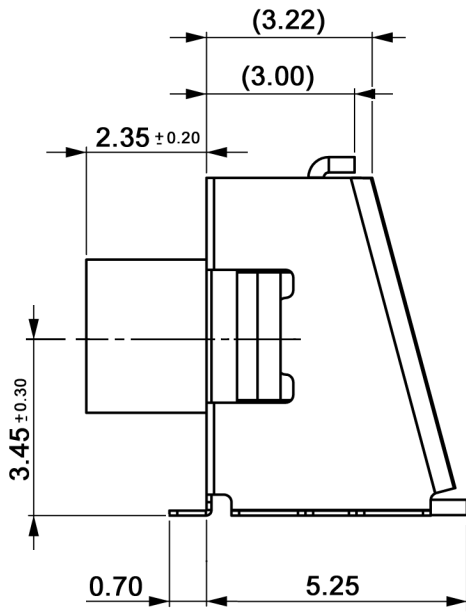
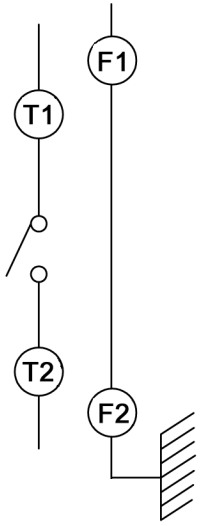
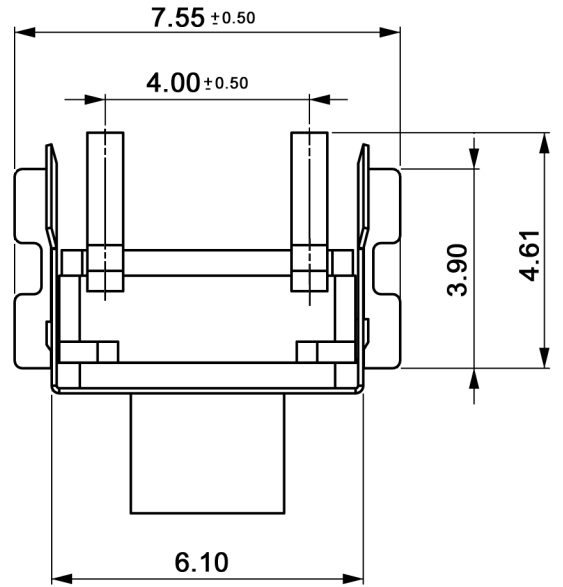
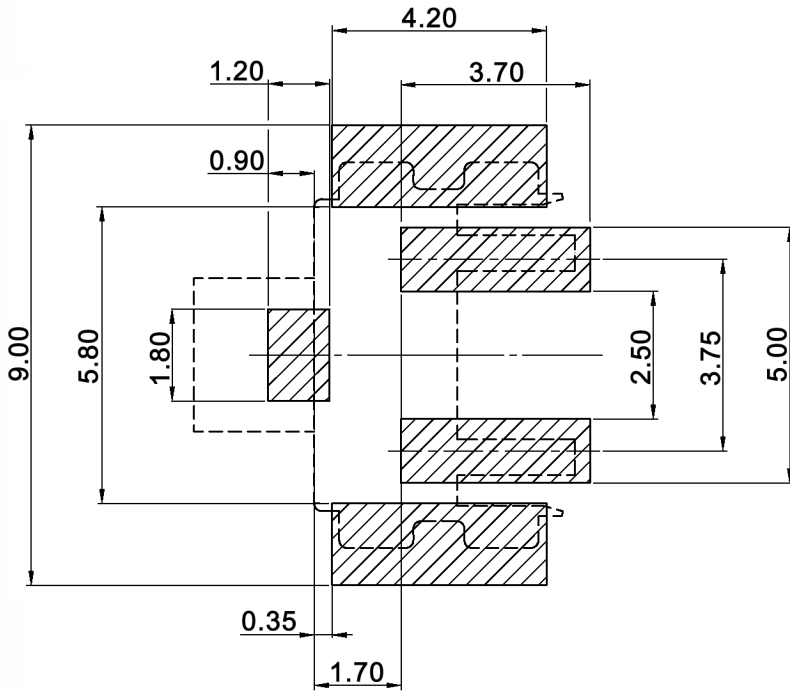


CIRCUIT DIAGRAM



P.C.B. LAYOUT



Tolerances: ±0.20mm			Date	Name
			09/05	dr
Revised	11/10	dr	knitter-switch	
Travel	08/10	dr		
Modifications	Date	Name		

TSSE 623 R-RA-1

30 06 87

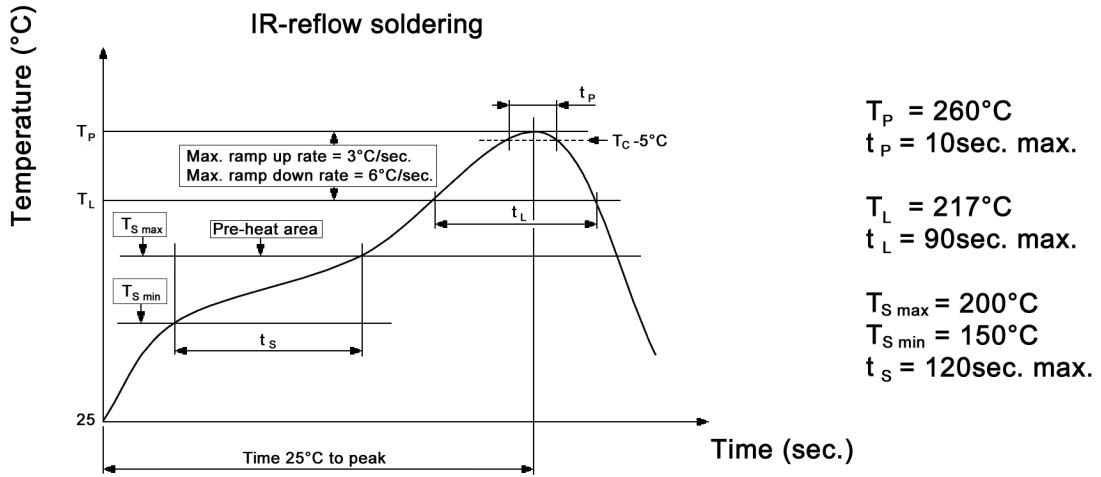
Page

1/3

Specifications:

Contact rating: 50mA, 12V DC
 Contact resistance: 100mOhm max.
 Insulation resistance: 100MOhm min. at 500V DC
 Dielectric strength: 250V AC (50Hz or 60Hz) for 1 minute
 Operating temperature: -25°C to +70°C
 Storage temperature: -30°C to +80°C
 Operating force: 260 +/-70g
 Mechanical life: 500 000 cycles
 Travel: 0.45 +/-0.2mm
 Sealing: washable
 Material: Cover: nickel silver
 Sealed rubber: silicone rubber hardness 70°-60°, red
 Contact: stainless steel, silver cladding
 Terminal: brass, silver plated
 Base: high-temp. thermoplastic nylon UL94V-0, molded black

Soldering conditions:



Tolerances: ±0.20mm	Date	Name
	09/05	dr

TSSE 623 R-RA-1

knitter-switch

30 06 87

Page

2/3

Modifications	Date	Name
---------------	------	------

