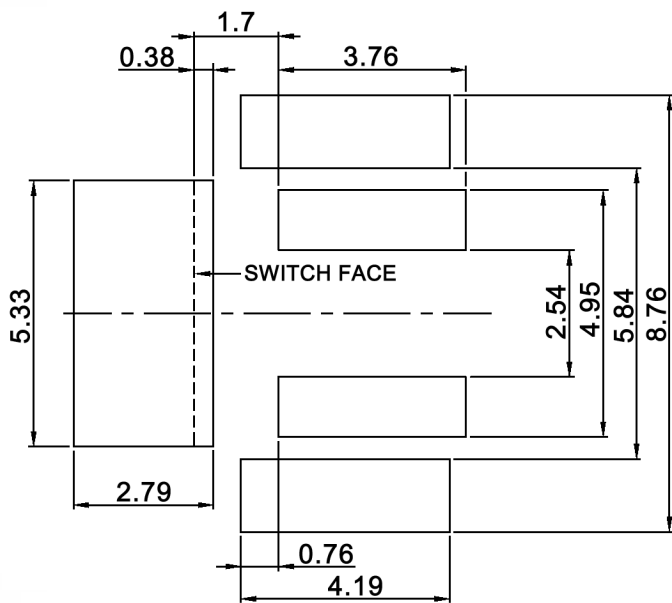
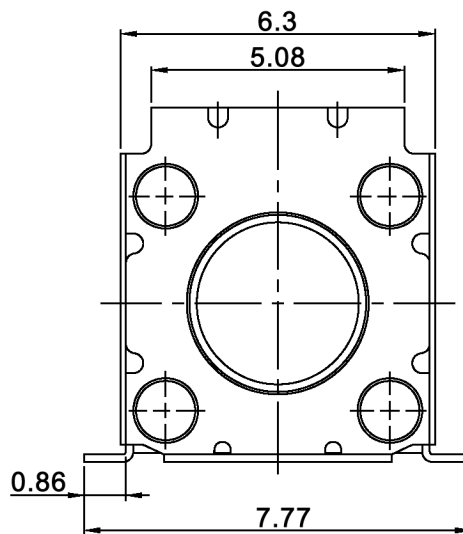
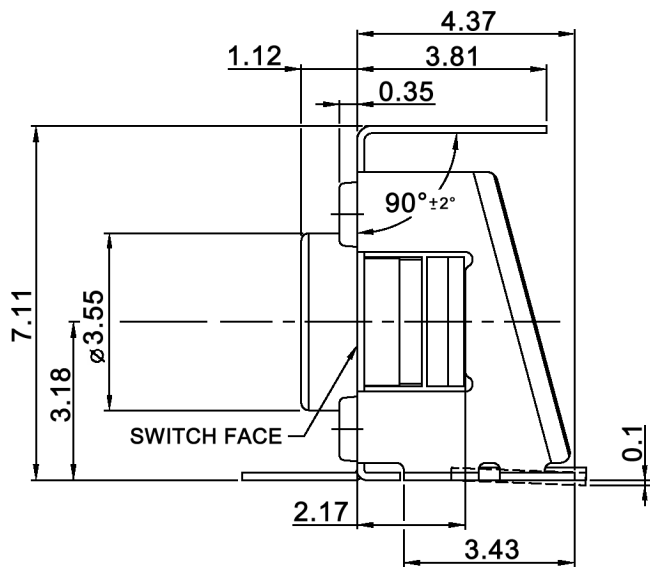
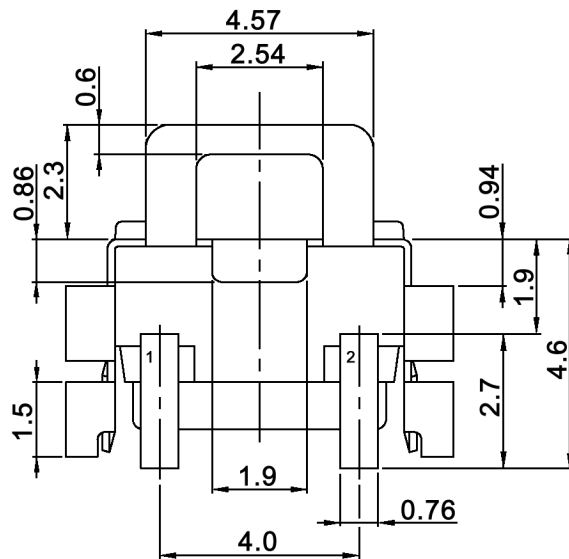
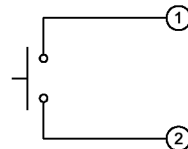


P.C.B. LAYOUT



CIRCUIT DIAGRAM



Tolerances: max. ±0.2mm			Date	Name
			01/11	dr
Modifications	Date	Name		

TSSE 611 R RA TAB-W

knitter-switch

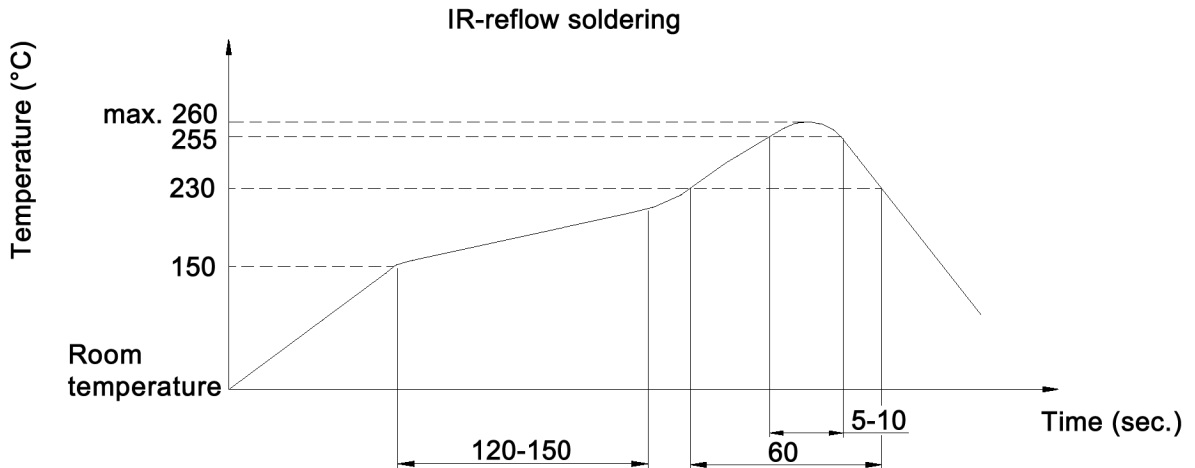
30 22 76

Page
1/2

Specifications:

Contact rating: 50mA, 12V DC
 Contact resistance: 100mOhm max.
 Insulation resistance: 100MOhm min. at 500V DC for 1 minute +/-5sec.
 Operating temperature: -25°C to +70°C
 Storage temperature: -30°C to +80°C
 Electrical life: 200 000 cycles min.
 Operating force: 260 +/-50gf
 Travel: 0.15mm min.
 Material: Cover: stainless steel, silver plated
 Stem: high-temp. nylon UL94V-0, white
 Contact: stainless steel, gold plated
 Block: high-temp. thermoplastic nylon UL94V-0, molded black
 Seal: silicone rubber
 Base: high-temp. thermoplastic LCP, molded black
 Terminal: brass, silver plated

Soldering conditions:



Tolerances: max. ±0.2mm	Date	Name
	01/11	dr
Modifications	Date	Name

TSSE 611 R RA TAB-W

knitter-switch

30 22 76

Page

2/2