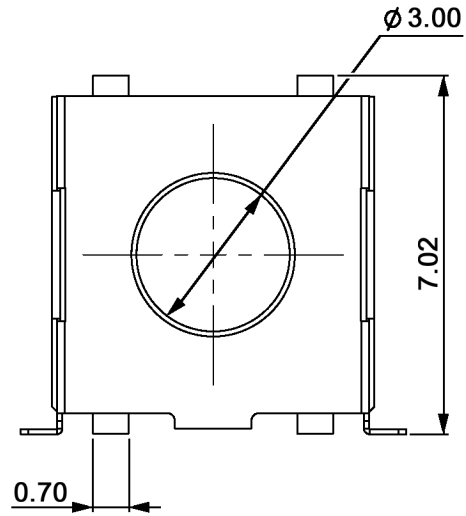
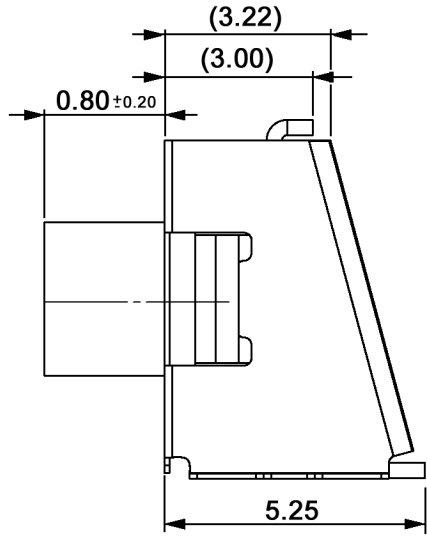
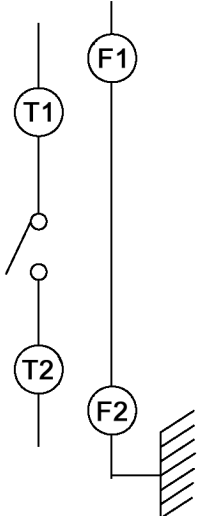
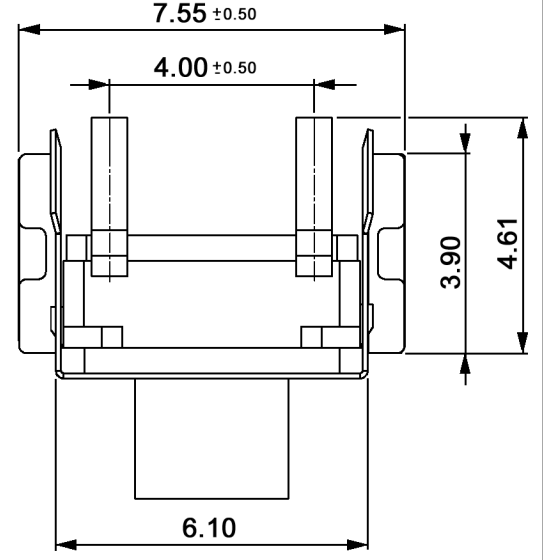
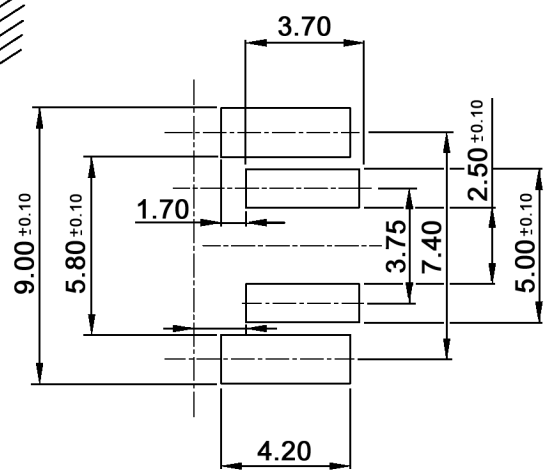


CIRCUIT DIAGRAM



P.C.B. LAYOUT



Specifications.

- Contact rating: 50mA, 12V DC
- Contact resistance: 100mOhm max.
- Insulation resistance: 100MOhm min. at 500V DC for 1 minute
- Dielectric strength: 250V AC (50Hz or 60Hz) for 1 minute
- Operating temperature: -25°C to +70°C
- Storage temperature: -30°C to +80°C
- Operating force: 260 +/-70g
- Mechanical life: 500 000 cycles
- Travel: 0.45 +/-0.2mm
- Material:
 - Cover: nickel silver
 - Sealed rubber: silicone rubber hardness: 70°-60°, red
 - Contact: phosphor bronze, silver plated
 - Terminal: brass, silver plated
 - Base: high-temp. thermoplastic PA9T UL94V-0, molded black



Tolerances: ±0.20mm	Date	Name
	11/05	dr
Travel	08/10	dr
Modifications	Date	Name

TSSE 608 R-RA

30 07 17

knitter-switch