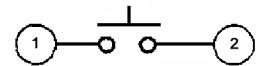
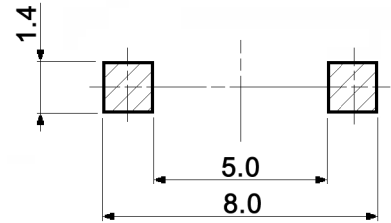


CIRCUIT DIAGRAM



P.C.B. LAYOUT



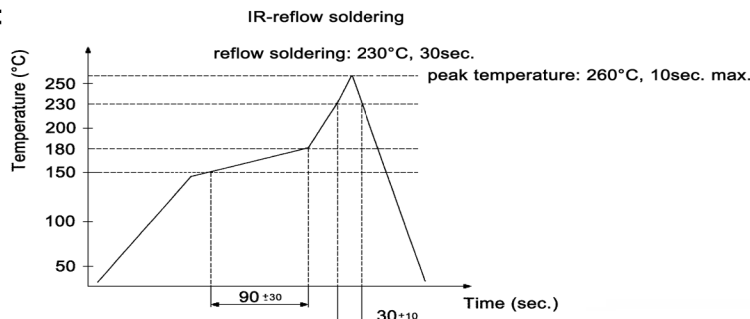
Specifications:

- Contact rating: min.: 1mA, 20mV
max.: 50mA, 32V DC
- Contact resistance: 100mOhm max.
- Insulation resistance: 1GOhm min. at 100V DC for 1 minute
- Dielectric strength: 100V AC for 1 minute
- Operating temperature: -40°C to +85°C
- Storage temperature: -55°C to +85°C
- Mechanical life: 1 000 000 cycles
- Material: Terminal: C5191, silver plated
Case: PA46, UL94HB, black
Contact plate: stainless steel, silver plated
Cover: stainless steel, washing
Stem: silicon rubber, black

x	Operating force
S	3.5 +/-0.9N

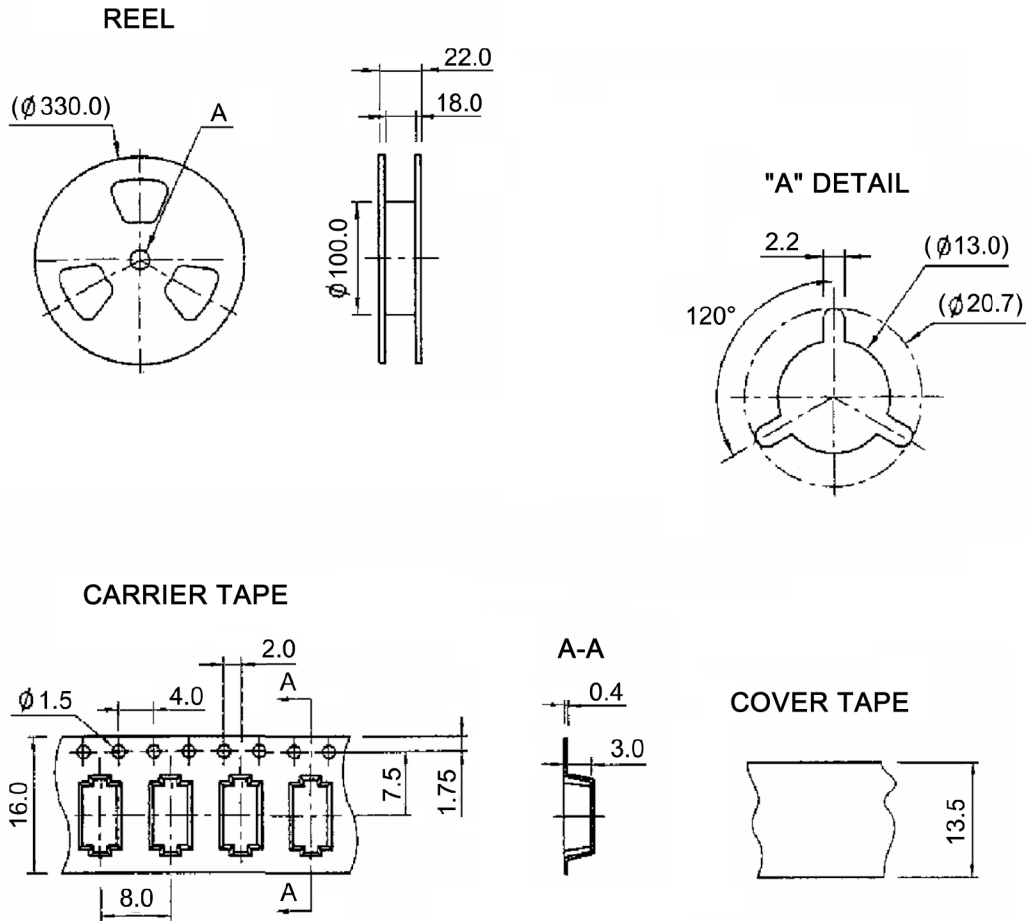
IP rating:

Soldering conditions:



Tolerances: ±0.2mm		Date	Name	<h1>TSSE 310 x</h1>
		05/09	dr	
Operating force	03/11	dr	knitter-switch	<h1>30 18 31</h1>
Flammability	02/11	dr		
Modifications	Date	Name		1/2

Packaging:



Packaging unit: 2 500 pcs. / reel



Tolerances: ±0.2mm	Date	Name	<h1>TSSE 310 x</h1>	<h2>30 18 31</h2>	Page
	05/09	dr			
			knitter-switch		2/2
Modifications	Date	Name			