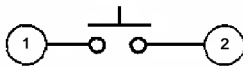
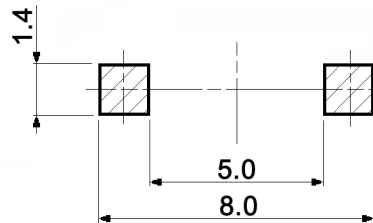


CIRCUIT DIAGRAM



P.C.B. LAYOUT



Tolerances: ±0.2mm			Date	Name
			05/10	dr
Operating force	03/11	dr	knitter-switch	
Flammability	02/11	dr		
Modifications	Date	Name		

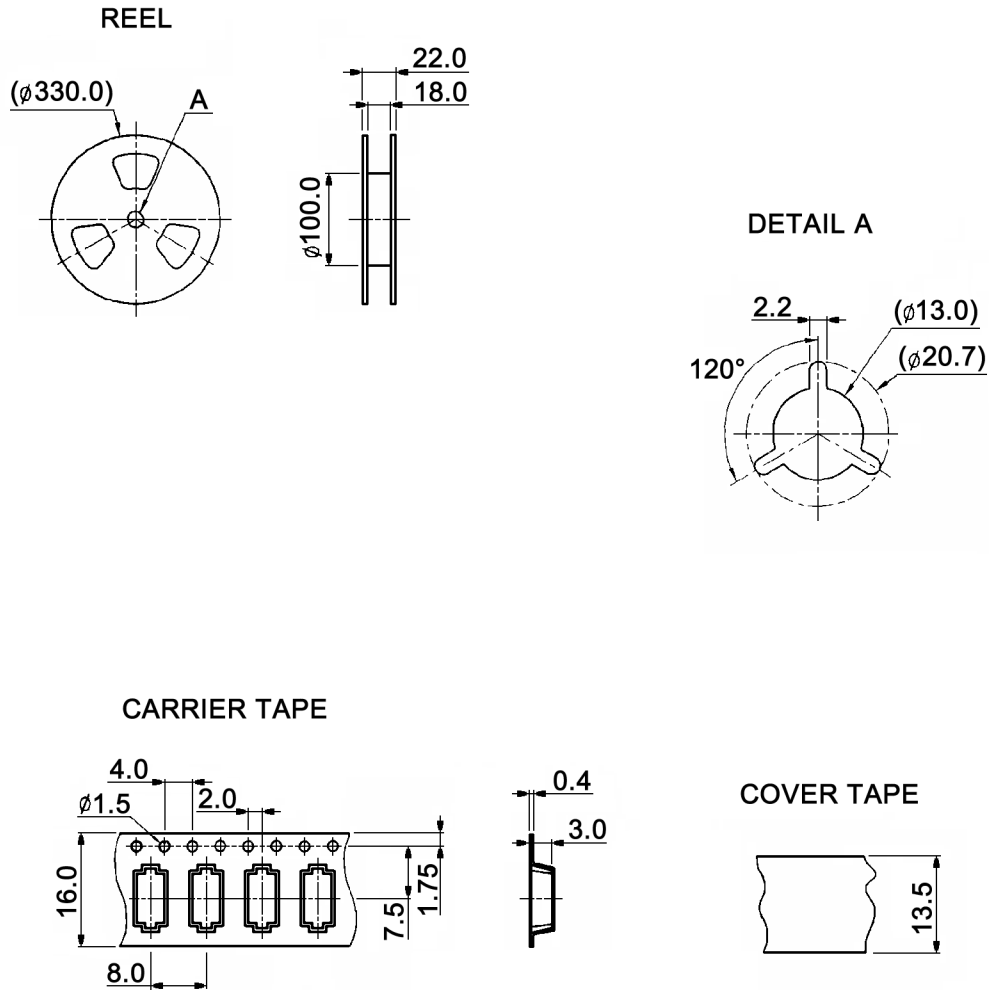
TSSE 310 x-J

30 20 90

Page

1/3

Packaging:



Packaging unit: 2 500 pcs. / reel



Tolerances: $\pm 0.2\text{mm}$	Date	Name	TSSE 310 x-J	30 20 90	Page
	05/10	dr			
			knitter-switch		3/3
Modifications	Date	Name			