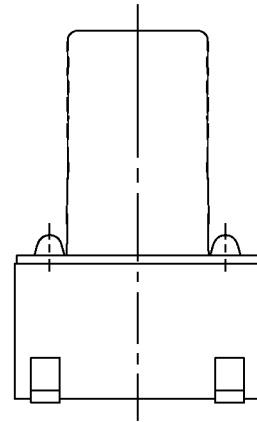
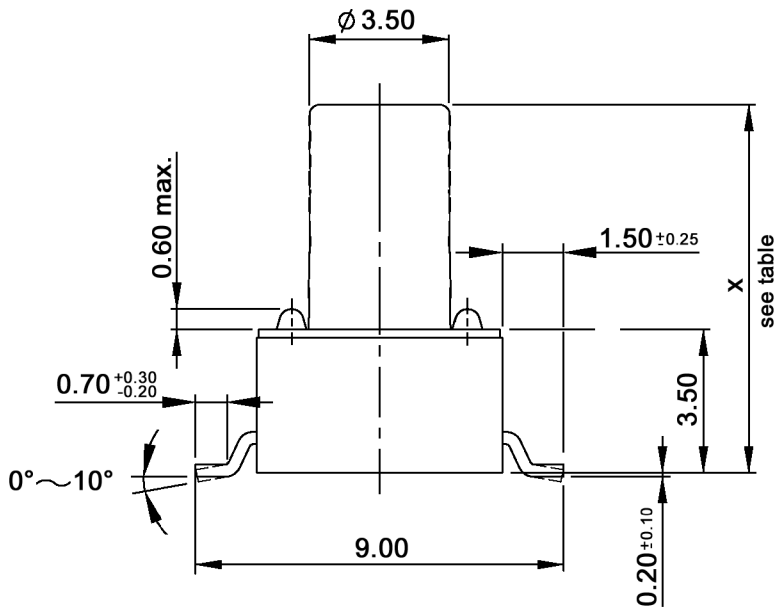
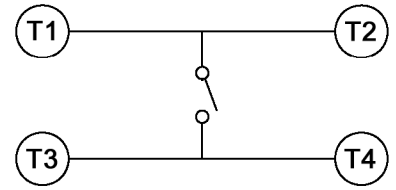
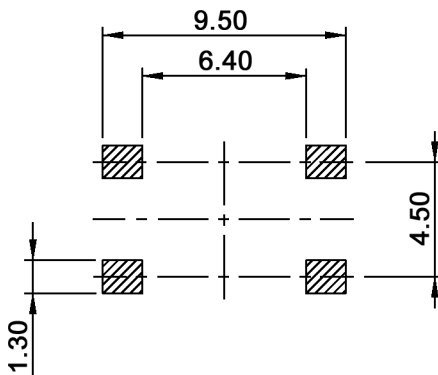


CIRCUIT DIAGRAM



P.C.B. LAYOUT



x	Height (mm)	Packaging unit (pcs./reel)
1	4.30	1 000
2	5.00	900
3	7.00	700
5	9.50	380
6	13.00	200



Tolerances: ±0.20mm		Date	Name
		08/09	dr
Storage temperature	01/10	dr	knitter-switch
Electrical life	11/09	dr	
Modifications	Date	Name	

TSS 6x y B

30 18 99

Page

1/2

Specifications:

Contact rating: 50mA, 12V DC
 Contact resistance: 100mOhm max.
 Insulation resistance: 100MOhm min. at 500V DC for 1 minute
 Dielectric strength: 250V AC (50/60Hz) for 1 minute
 Operating temperature: -40°C to +105°C
 Storage temperature: -40°C to +105°C
 Soldering conditions: 260 +/-5°C, 5 +/-1sec.
 Travel: 0.25 +0.2/-0.1mm
 Material: Cover: stainless steel
 Stem / base: high-temp. thermoplastic nylon UL94V-0
 Contact: phosphor bronze, gold plated over nickel
 Terminal: brass, gold plated over nickel

y	Stem color	Operating force (gf)	Electrical life (cycles)
K	black	100 +/-50	min. 100 000
N	brown	160 +/-50	min. 100 000
R	red	260 +/-50	min. 50 000
S	salmon	320 +/-80	min. 25 000
Y	yellow	520 +/-130	min. 25 000



Tolerances: ±0.20mm		Date	Name	<h1>TSS 6x y B</h1>
		08/09	dr	
		knitter-switch		30 18 99
				Page
				2/2
Modifications	Date	Name		