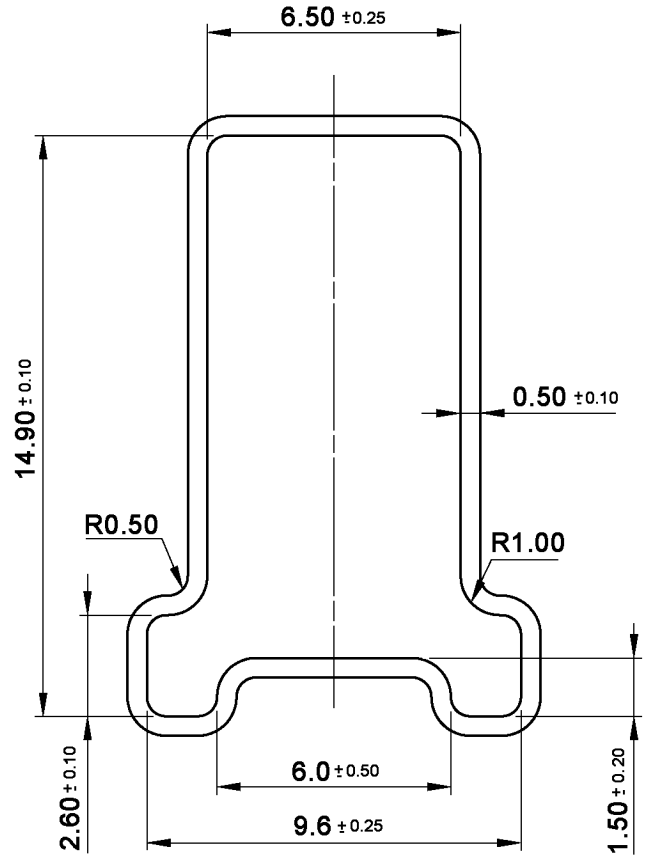
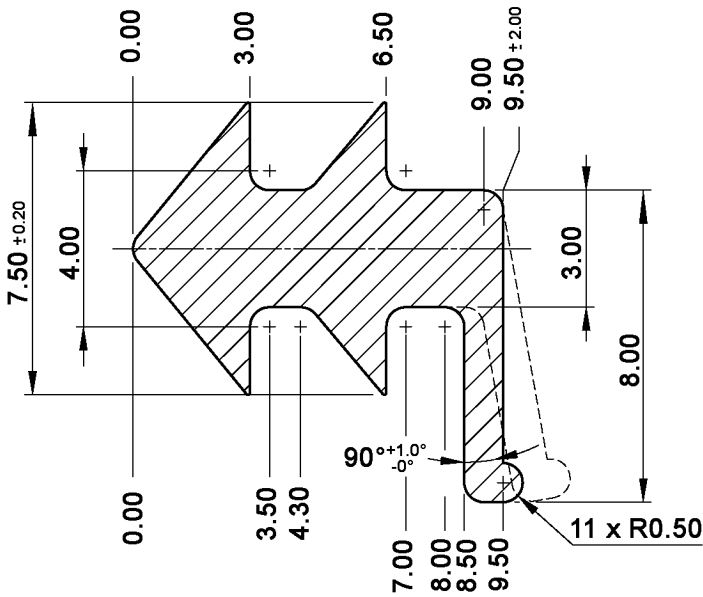


Cork: $t = 13.0^{+0}_{-1.0}$ mm

Tube: total length 500 ± 0.5 mm



Tolerances:			Date	Name
			03/05	dr
Modifications	Date	Name		

TSS 66
Stick packing

30 05 75

Page

1/1

knitter-switch