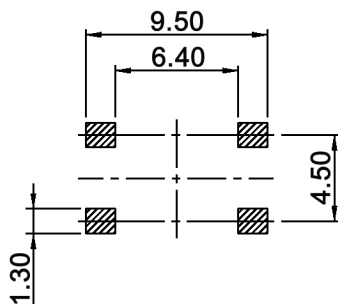
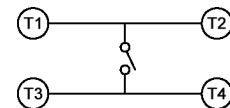


P.C.B. LAYOUT



CIRCUIT DIAGRAM



Tolerances: max. ±0.20mm			Date	Name
			01/08	dr
Modifications	Date	Name		

TSS 644x + KTSC 61

knitter-switch

30 13 58

Page

1/1