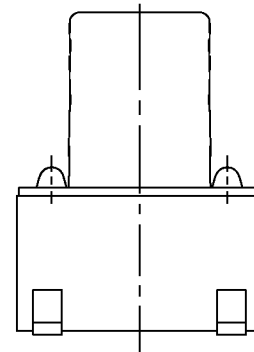
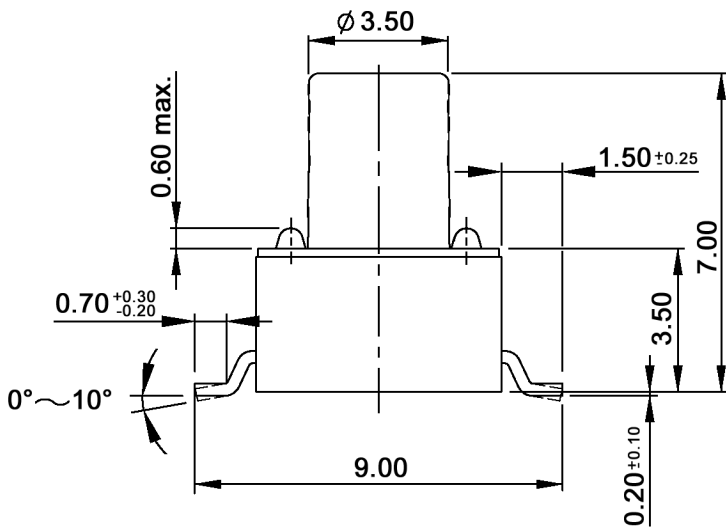
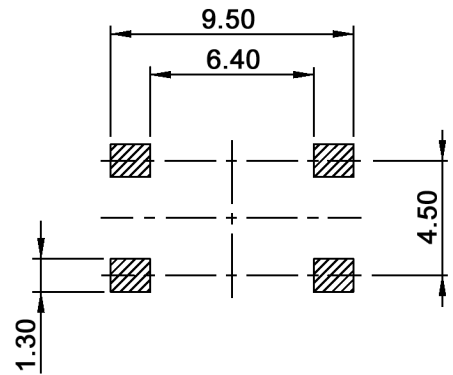
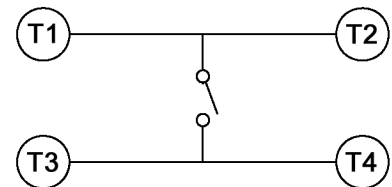


P.C.B. LAYOUT



CIRCUIT DIAGRAM



Specifications:

- Contact rating: 50mA, 12V DC
- Contact resistance: 100mOhm max.
- Insulation resistance: 100MOhm min. at 500V DC for 1 minute
- Dielectric strength: 250V AC (50Hz or 60Hz) for 1 minute
- Operating temperature: -25°C to +70°C
- Storage temperature: -30°C to +80°C
- Operating force: 160 +/-50gf
- Solder heat resistance: 260 +/-5°C, 5 +/-1sec.
- Electrical life: 200 000 cycles min.
- Material: Cover: stainless steel
Stem / base: high-temp. thermoplastic nylon UL94V-0, brown
Contact: phosphor bronze, silver plated
Terminal: brass, silver plated



Tolerances: ±0.2mm max.	Date	Name
	01/06	dr

TSS 63 N

knitter-switch

30 09 05

Page

1/1

Modifications	Date	Name
---------------	------	------