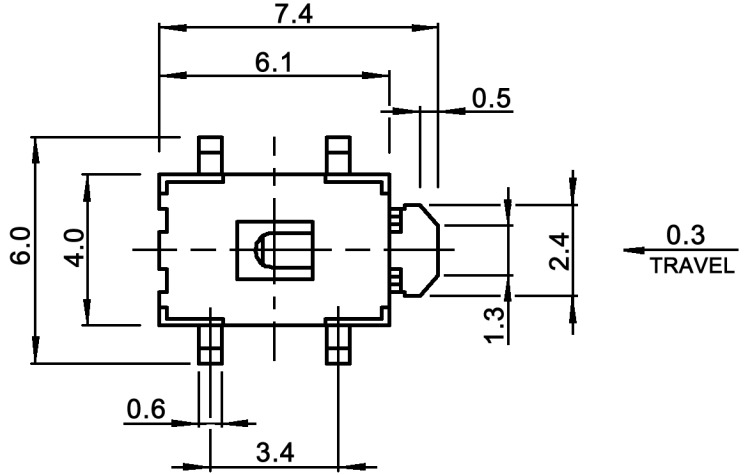
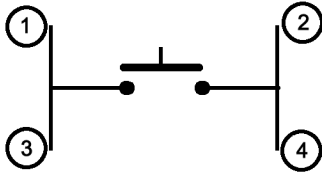


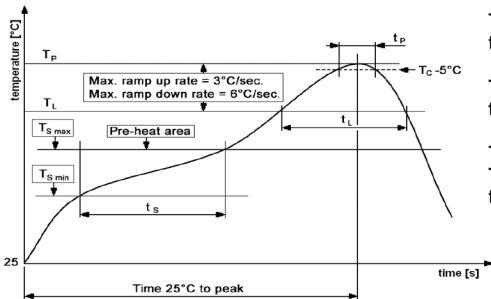
CIRCUIT DIAGRAM



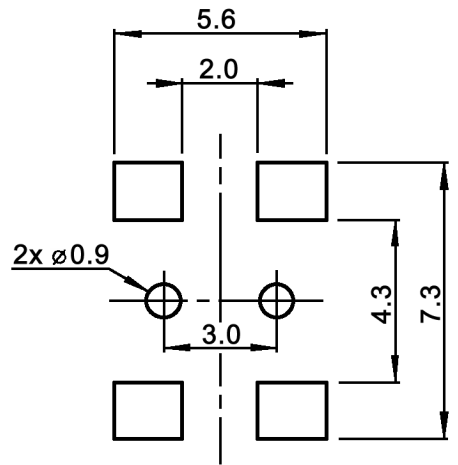
Specifications:

- Contact rating: 0.05A (max.), 12V DC
- Contact resistance: 500mOhm max.
- Insulation resistance: 100MOhm min. at 100V DC for 1 minute
- Dielectric strength: 250V AC (50/60Hz, 2mA) for 1 minute
- Operating temperature: -40°C to +85°C
- Mechanical life: 50 000 cycles
- Operating force: 250 +/-70gf
- Material: Terminal: phosphor bronze, silver plated
Case: LCP, black
Contact: stainless steel, silver plated
Cover: stainless steel, washing
Stem: PA, blue

Soldering conditions:



P.C.B. MOUNTING



Tolerances: ±0.2mm	Date	Name
	09/10	dr
Modifications	Date	Name

TSS 313 T-RA

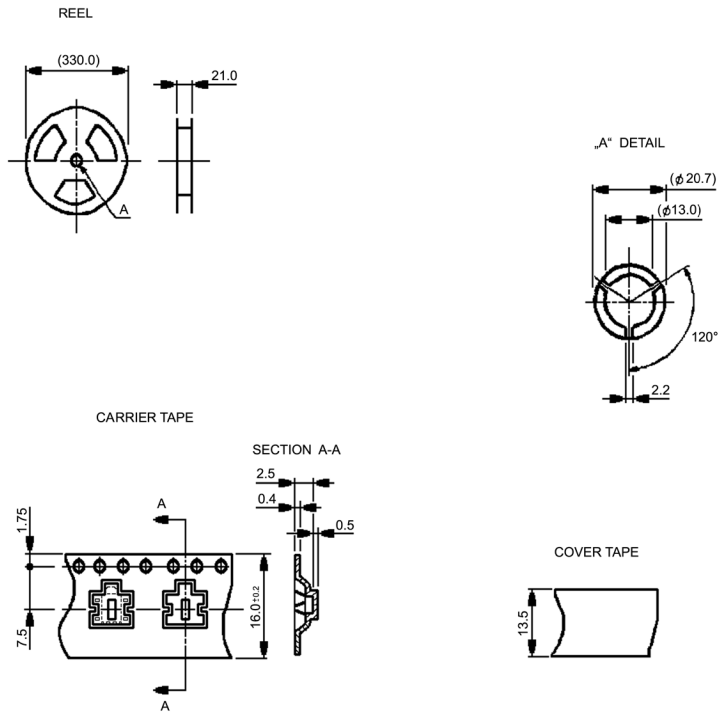
30 21 78

Page

1/2

knitter-switch

Packaging:



Packaging unit: 1 700 pcs. / reel



Tolerances: ±0.2mm			Date	Name
			09/10	dr
Modifications	Date	Name		

TSS 313 T-RA

knitter-switch

30 21 78

Page

2/2