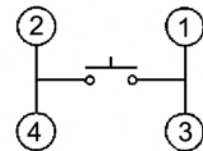


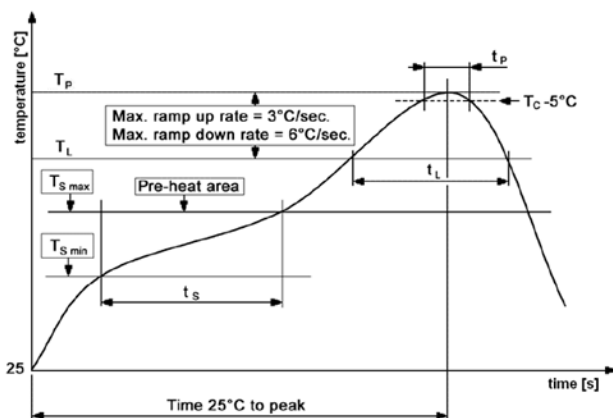
Specifications:

Contact rating: 0.05A (max.), 12V DC
Contact resistance: 500mOhm max.
Insulation resistance: 100MOhm min. at 100V DC for 1 minute
Dielectric strength: 250V AC (50/60Hz, 2mA) for 1 minute
Operating temperature: -40°C to +85°C
Mechanical life: 50 000 cycles
Operating force: 250 +/-70gf
General tolerances: +/-0.2mm
Material: Terminal: phosphor bronze, silver plated
Case: LCP, black
Contact: stainless steel, silver plated
Cover: stainless steel, washing
Stem: PA, blue

CIRCUIT DIAGRAM

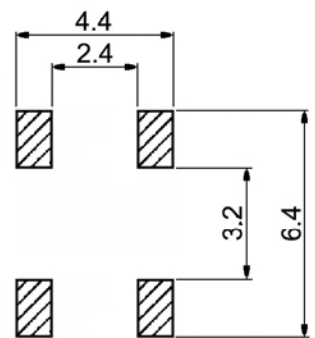


Soldering conditions:



$T_p = 260^\circ\text{C}$
 $t_p = 10\text{sec. max.}$
 $T_L = 217^\circ\text{C}$
 $t_L = 90\text{sec. max.}$
 $T_{S\text{ max}} = 200^\circ\text{C}$
 $T_{S\text{ min}} = 150^\circ\text{C}$
 $t_S = 120\text{sec. max.}$

P.C.B. MOUNTING HOLE AND LAND DIMENSIONS



Maßstab		Datum	Name
Oberfläche		08/06	dr
Revised	09/10	dr	knitter-switch
Zust	Änderung	Datum	Name

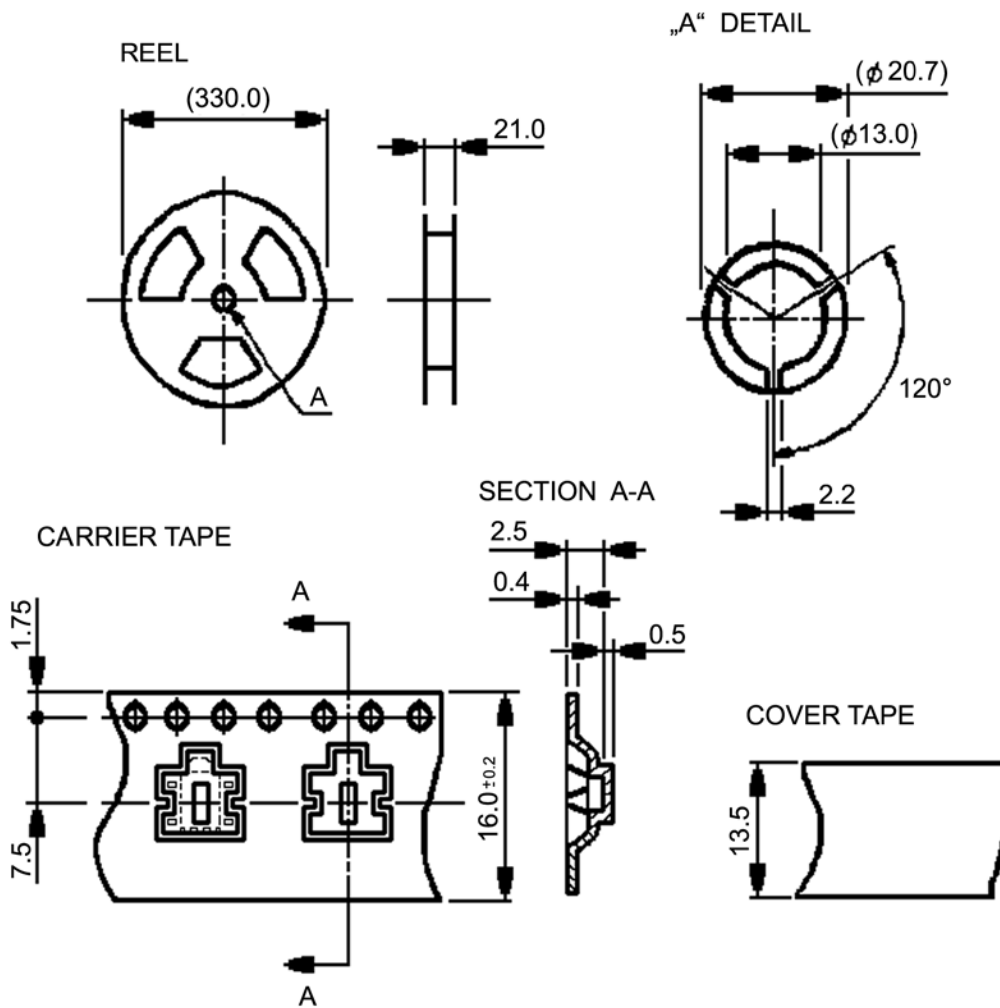
TSS 313 T RA-1

30 09 49

Blatt

1/2

Packaging:



Packaging unit: 1 700 pcs. / reel



Maßstab		Datum	Name
Oberfläche		08/06	dr
Zust	Änderung	Datum	Name

TSS 313 T RA-1

30 09 49

Blatt

2/2

knitter-switch