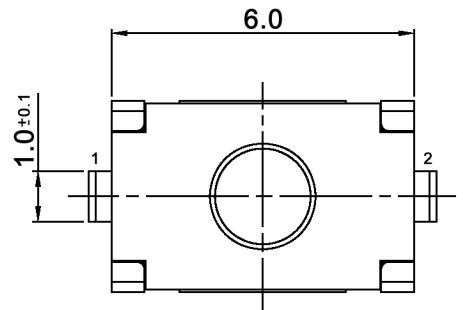
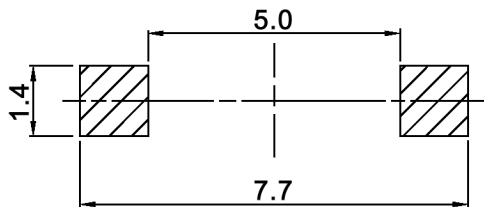


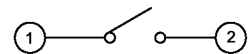
P.C.B. LAYOUT



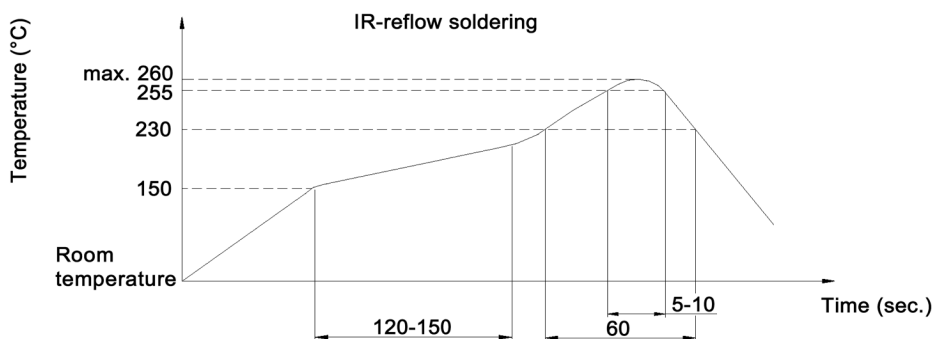
Specifications:

- Contact rating: 50mA, 12V DC
- Contact resistance: 100mOhm max.
- Insulation resistance: 100MOhm min. at 100V DC for 1 minute +/-5sec.
- Dielectric strength: 300V AC (50/60Hz) for 1 minute
- Operating temperature: -40°C to +85°C
- Storage temperature: -55°C to +85°C
- Material: Terminal: phosphor bronze, silver plated
Contact: silver plated
Stem: silicone rubber, hardness 80°
Cover: stainless steel
Base: high-temp. thermoplastic LCP V-0
Dome: stainless steel, silver plated

CIRCUIT DIAGRAM



Soldering conditions:



x	Operating force (gf)	Electrical life	Travel (mm)	Stem colour
N	200 +/-50	200 000 cycles	0.3 +/-0.15	brown
R	300 +/-75	200 000 cycles	0.35 +/-0.15	red
S	400 +/-100	100 000 cycles	0.45 +/-0.15	salmon



Tolerances: ±0.20mm		Date	Name
		03/11	dr
Modifications	Date	Name	

TSS 310 x-J

30 23 32

Page

1/1

knitter-switch