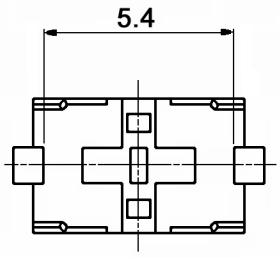
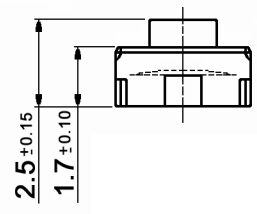
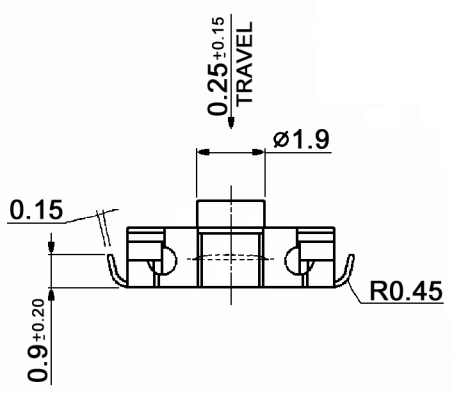
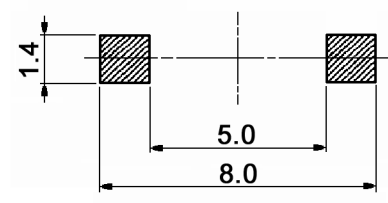
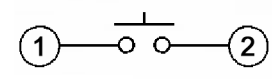


P.C.B. LAYOUT
BOTTOM VIEW



CIRCUIT DIAGRAM



Specifications:

- Contact rating: 1VA DC max.
- Contact resistance: 100mOhm max.
- Insulation resistance: 1 000MOhm min. at 100V DC for 1 minute
- Dielectric strength: 100V AC (50/60Hz, 2mA) for 1 minute
- Operating temperature: -20°C to +70°C
- Mechanical life: 30 000 cycles
- Operating force: 350 +/-90gf
- Actuator strength: 30N for 1 minute
- Material: Terminal: C5191R-EH, gold plated
Case: PA 46, black
Contact plate: SUS, gold plated
Cover: SUS, washing
Stem: PA 46, blue



Tolerances: ±0.2mm	Date	Name
	02/08	dr
Actuator strength	05/08	dr
Modifications	Date	Name

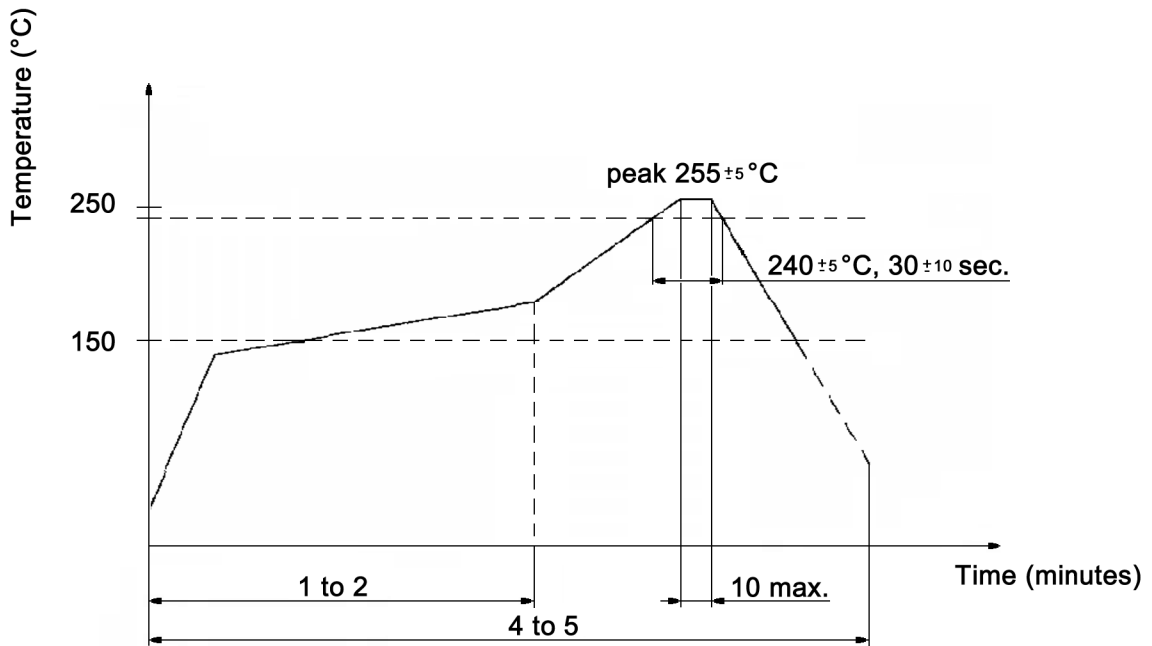
TSS 309 SB-J

knitter-switch

30 14 06

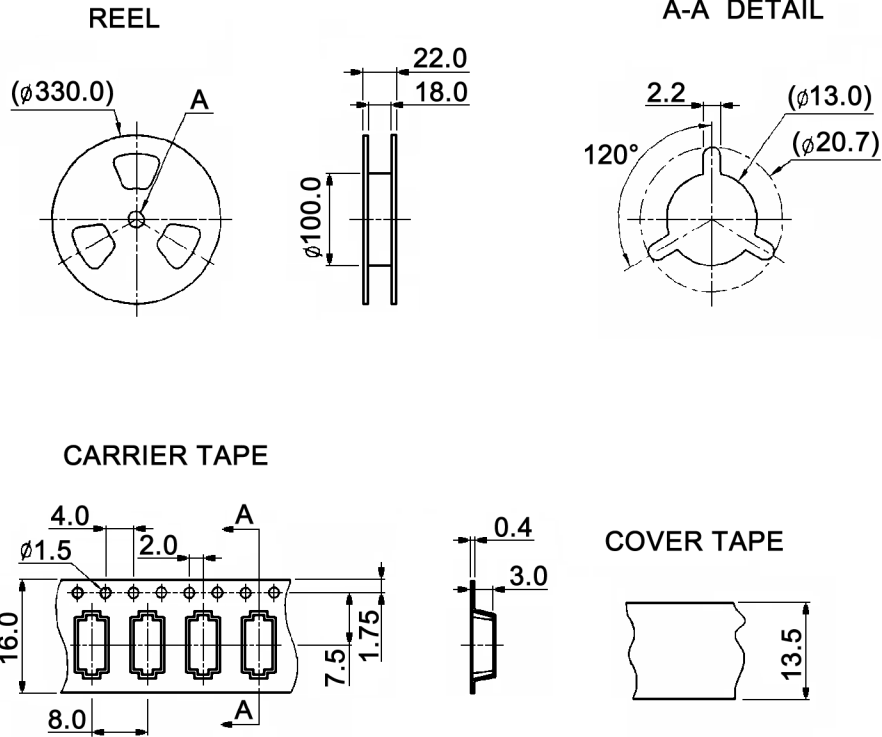
Page
1/3

Soldering conditions:



Tolerances: $\pm 0.2\text{mm}$			Date	Name	<h1>TSS 309 SB-J</h1>
			02/08	dr	
			knitter-switch		<h2>30 14 06</h2>
Modifications			Date	Name	Page 2/3

Packaging:



Packaging unit: 2500 pcs / reel



Tolerances: $\pm 0.2\text{mm}$			Date	Name	<h1>TSS 309 SB-J</h1>
			02/08	dr	
			knitter-switch		<h2>30 14 06</h2>
Modifications			Date	Name	Page 3/3