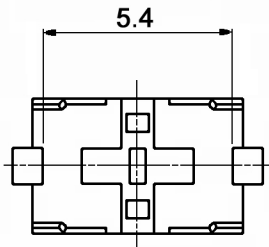
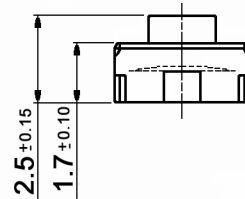
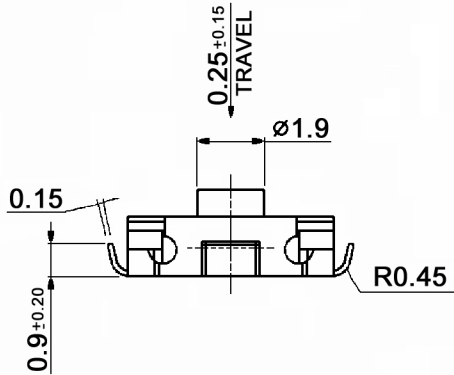
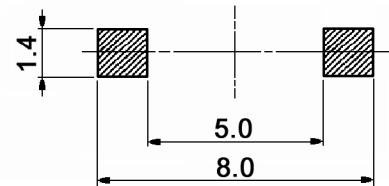
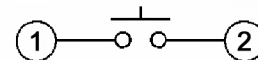


P.C.B. LAYOUT  
BOTTOM VIEW



CIRCUIT DIAGRAM



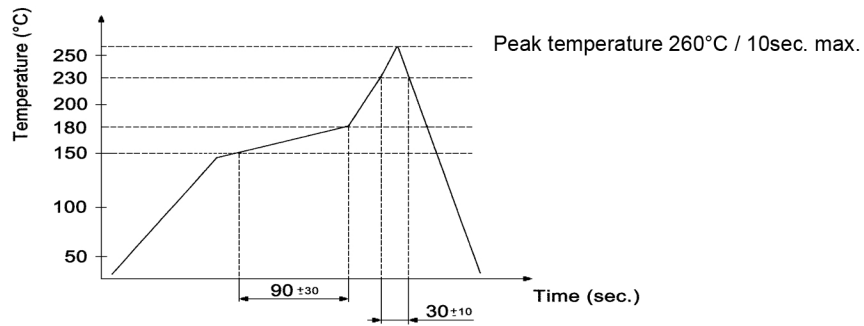
Specifications:

Contact rating:	0.05A, 32V DC
Contact resistance:	100mOhm max.
Insulation resistance:	100MOhm min. at 100V DC for 1 minute
Dielectric strength:	250V AC for 1 minute (50Hz or 60Hz, 2mA)
Operating temperature:	-40°C to +90°C
Operating force:	180gf +/-50gf
Actuator strength:	30N for 1 minute
Mechanical life:	1 000 000 cycles
Packaging:	2500 pcs. / reel
Material:	Terminal: C5191R-EH, Ag Case / stem: PA46, black Contact plate: SUS, Ag Cover: SUS, washing

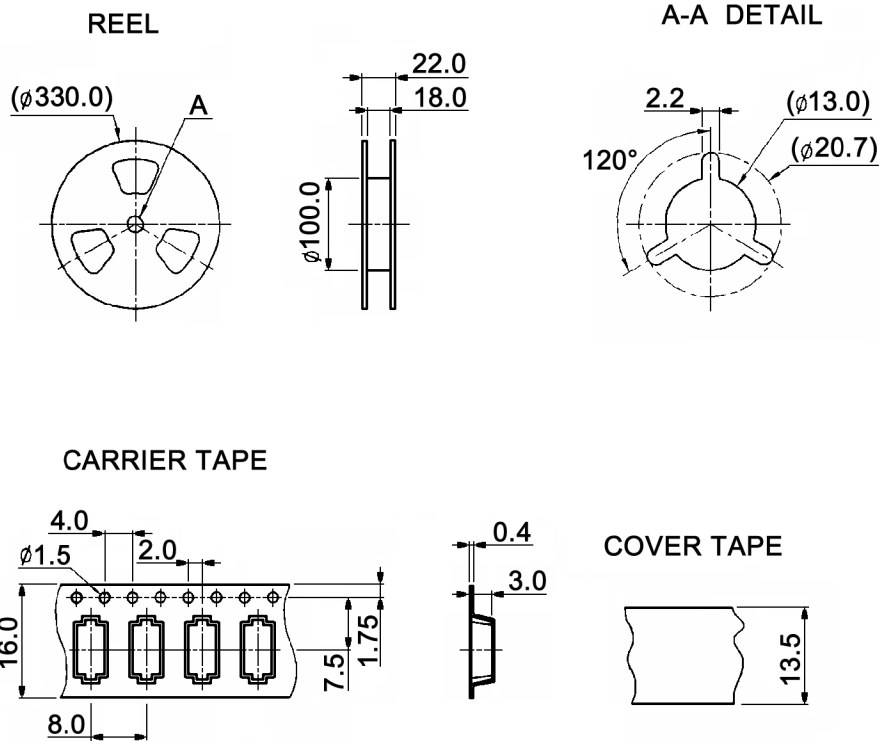


Tolerances:			Date	Name	<b>TSS 309 N-J</b>
Soldering conditions	12/08	dr	02/06	dr	
Packaging	12/08	dr			
Actuator strength	05/08	dr			
Operating temperature	04/08	dr			
Mechanical life	01/07	dr	<b>knitter-switch</b>		<b>30 07 81</b>
Mechanical life	05/06	dr			
Modifications	Date	Name			Page 1/2

## Soldering conditions:



## Packaging:



Packaging unit: 2500 pcs / reel



Tolerances:			Date	Name	<h1>TSS 309 N-J</h1>
			12/08	dr	
			<b>knitter-switch</b>		<h2>30 07 81</h2>
Modifications	Date	Name			
					Page 2/2