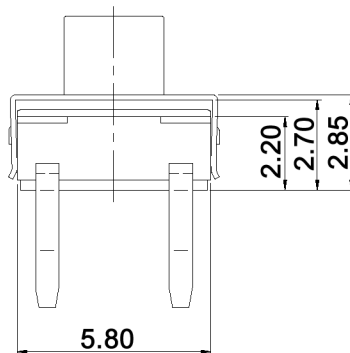
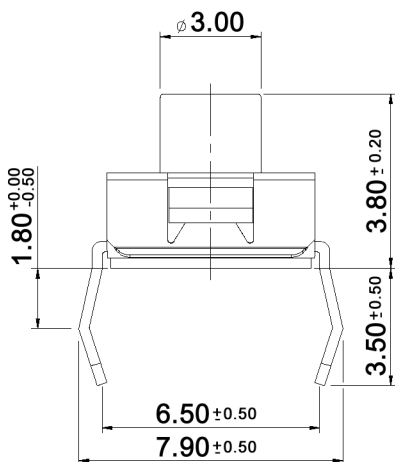
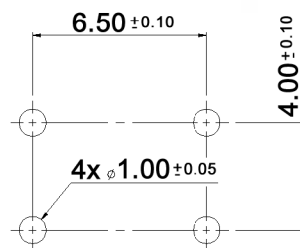
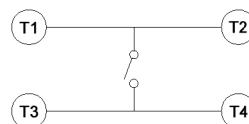


P.C.B. LAYOUT



CIRCUIT DIAGRAM



Specifications:

- Contact rating: 50mA, 12V DC
- Contact resistance: 100mOhm max.
- Insulation resistance: 100MOhm min. at 500V DC
- Dielectric strength: 250V AC for 1 minute
- Operating temperature: -40°C to +85°C
- Electrical life: 500 000 cycles min.
- Operating force: 260 +/-70 gf; color of actuator: red
- Soldering conditions: wave soldering: 260°C, 5sec.
- Stroke: 0.45 +/-0.20mm
- Material: Cover: stainless steel  
Terminal: brass silver plated  
Base: UL94V-0 nylon high-temp. thermoplastic, black  
Stem: silicone rubber  
Contact: phosphor bronze silver cladding



Tolerances: ±0.20mm	Date	Name
	03/08	dr
Specifications	01/09	dr
Modifications	Date	Name

**TSE 69 R**

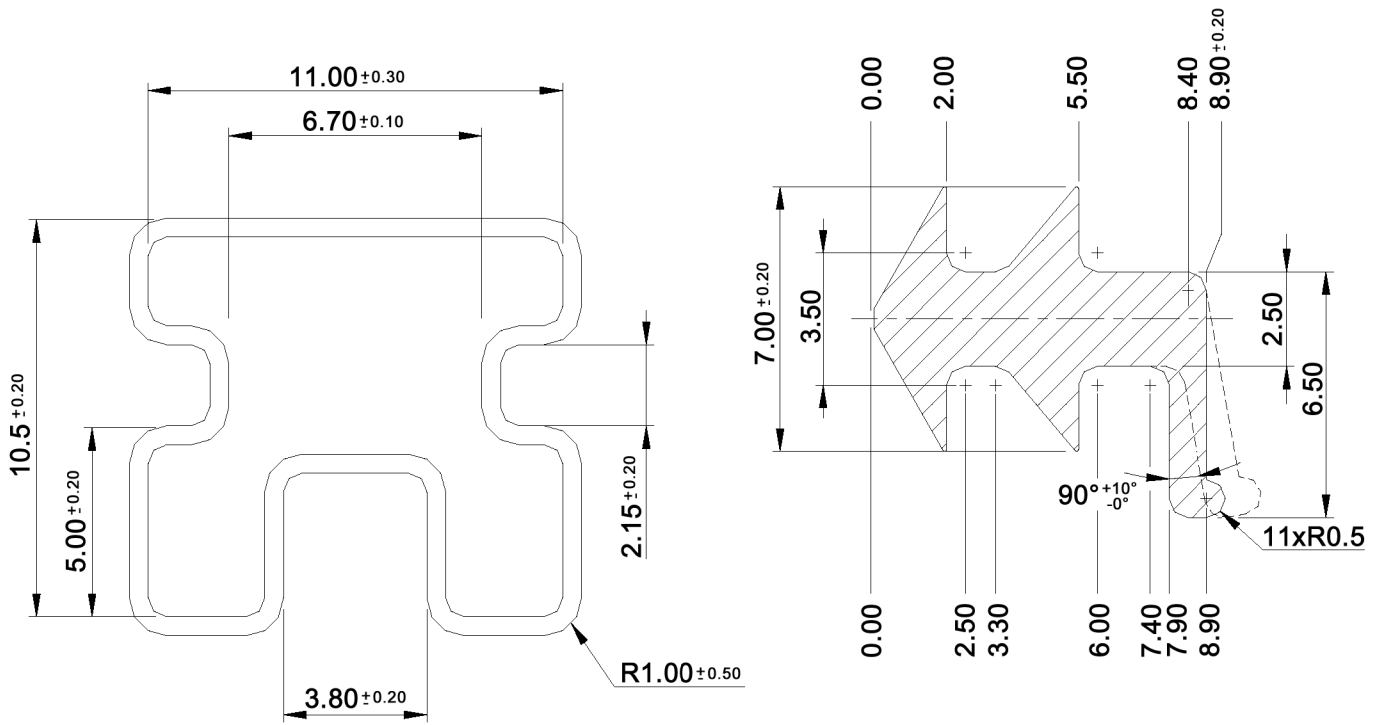
**30 14 23**

Page

1/2

**knitter-switch**

Packaging:



Packaging unit: 75 pcs / tube



Tolerances: $\pm 0.20\text{mm}$			Date	Name	<h1>TSE 69 R</h1>
			03/08	dr	
			<b>knitter-switch</b>		<h1>30 14 23</h1>
Modifications			Date	Name	Page 2/2