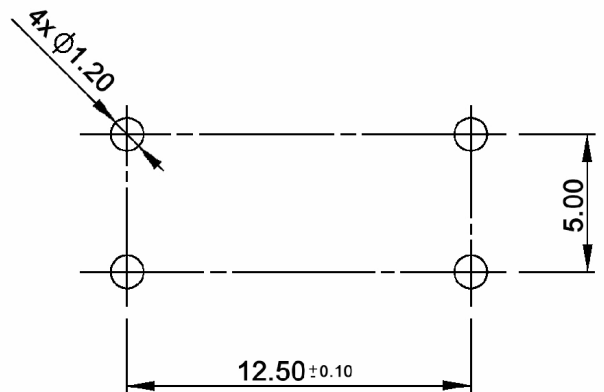


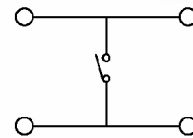
P.C.B. LAYOUT



Specifications:

- Contact rating: 100mA, 42V DC/AC max. (0.01mA, 0.02V DC/AC min.)
- Switching power: 1W max.
- Contact resistance: 100mOhm max.
- Insulation resistance: 1 000MOhm
- Dielectric strength: 150V AC (50Hz)
- Operating temperature: -40°C to +80°C
- Mechanical life: 1 000 000 cycles
- Operating force: 3.6 +/-0.7N
- Travel: 0.61 +/-0.1mm
- Packaging unit: 45 pcs. / stick
- Material: All plastic material UL94HB
- Contact: stainless steel, gold plated over nickel
- Terminal: brass, tin over nickel

CIRCUIT DIAGRAM



Tolerances: <10: ±0.2mm 10-30: ±0.3mm	Date	Name
	11/08	dr

TSE 12 S

knitter-switch		
Plating	01/11	dr
Modifications	Date	Name

30 16 56

Page

1/1