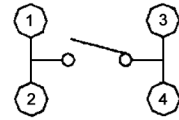
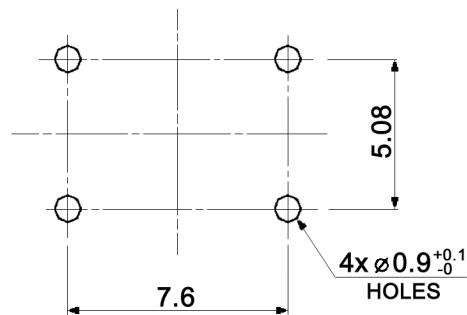
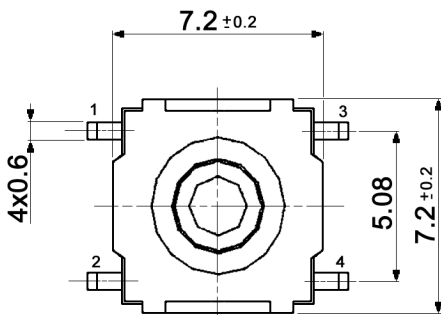


CIRCUIT DIAGRAM



P.C.B. MOUNTING



x	A
1	4.7
2	5.2
3	6.9
4	10.0

Specifications:

Contact rating: 50mA, 12V DC
 Contact resistance: 50mOhm max.
 Insulation resistance: 100MOhm min. at 500V DC for 1 minute +/-5sec.
 Dielectric strength: 250V AC (50/60Hz, 2mA) for 1 minute
 Operating temperature: -10°C to +50°C
 Mechanical life: 100 000 cycles
 Operating force: 300 +/-50gf
 Soldering conditions: pre-heat: 110°C, 60sec. max.; wave soldering: 260°C, 5sec. max.
 Travel: 0.5 +/-0.2mm
 Material: Case / stem: PA6T
 Terminal: brass, silver over nickel plated
 Cover: SPTE
 Contact: stainless steel, silver plated
 Dust cover: silicon rubber



Tolerances: 0.00 to 30.00: ±0.20mm		Date	Name
30.01 to 80.00: ±0.25mm		03/08	dr
Revised	06/10	dr	
Modifications	Date	Name	

TS 8x S

30 14 18

knitter-switch

Page

1/1