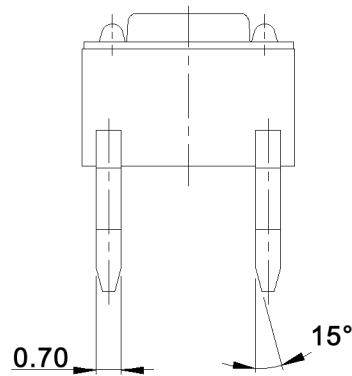
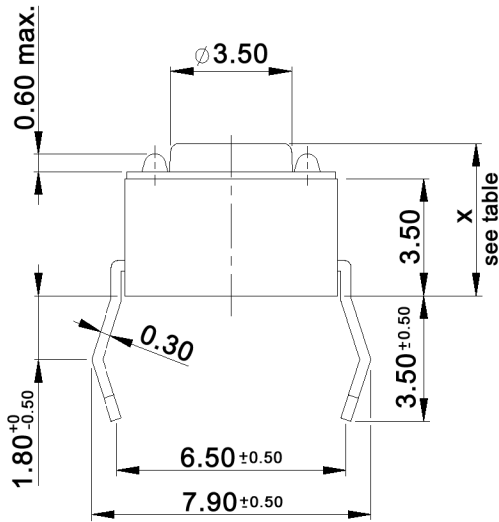
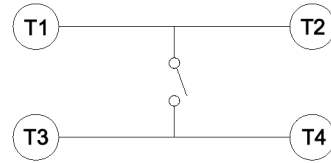
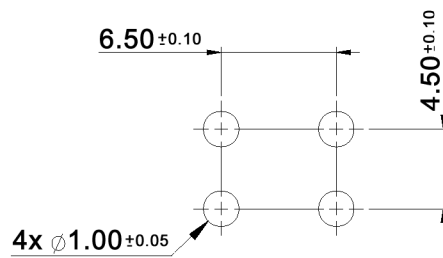


CIRCUIT DIAGRAM



x	Height (mm)
1	4.30
2	5.00
3	7.00
5	9.50
6	13.00

P.C.B. LAYOUT



Tolerances: ±0.20mm			Date	Name
			08/09	dr
Storage temperature	01/10	dr	knitter-switch	
Electrical life	11/09	dr		
Modifications	Date	Name		

TS 6x y B

30 19 02

Page

1/2

Specifications:

Contact rating: 50mA, 12V DC
 Contact resistance: 100mOhm max.
 Insulation resistance: 100MOhm min. at 500V DC for 1 minute
 Dielectric strength: 250V AC (50/60Hz) for 1 minute
 Operating temperature: -40°C to +105°C
 Storage temperature: -40°C to +105°C
 Soldering conditions: pre-heat: max. 100°C, max. 60sec.
 wave soldering: max. 265°C, max. 5sec.
 Travel: 0.25 +0.2/-0.1mm
 Material: Cover: stainless steel
 Stem / base: high-temp. thermoplastic nylon UL94V-0
 Contact: phosphor bronze, gold plated over nickel
 Terminal: brass, gold plated over nickel

y	Stem color	Operating force (gf)	Electrical life (cycles)
K	black	100 +/-50	min. 100 000
N	brown	160 +/-50	min. 100 000
R	red	260 +/-50	min. 50 000
S	salmon	320 +/-80	min. 25 000
Y	yellow	520 +/-130	min. 25 000



Tolerances: ±0.20mm		Date	Name	<h1>TS 6x y B</h1>
		08/09	dr	
			knitter-switch	<h2>30 19 02</h2>
Modifications		Date	Name	Page 2/2