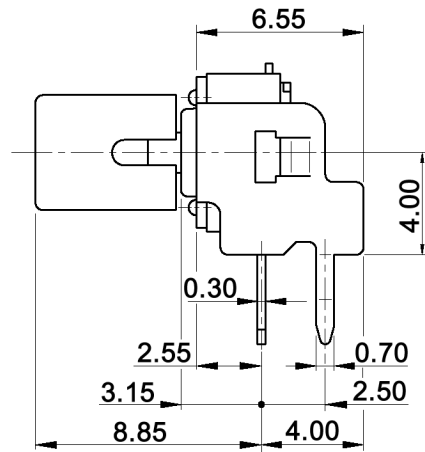
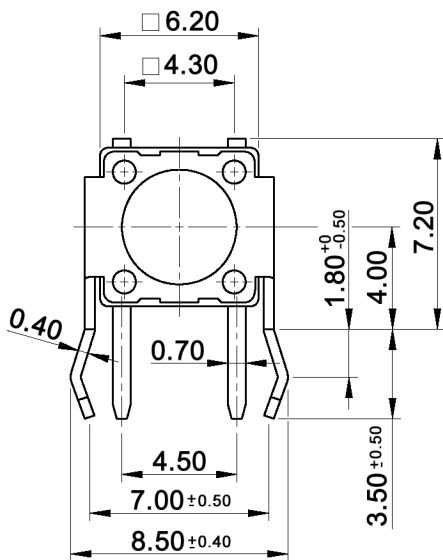
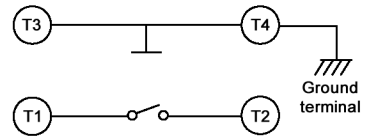
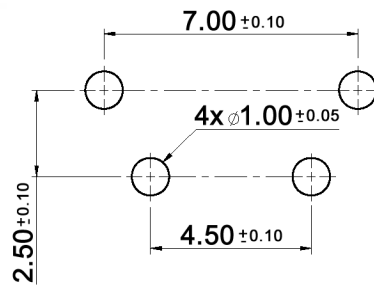


CIRCUIT DIAGRAM



P.C.B. LAYOUT



Tolerances: ±0.20mm			Date	Name	<b>TS 644x-RA &amp; KTSC 61x</b>
			02/08	dr	
			<b>knitter-switch</b>		<b>30 14 03</b>
Modifications			Date	Name	Page 1/1