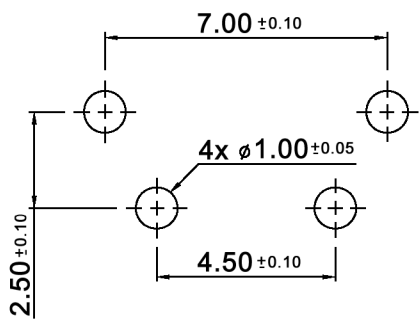
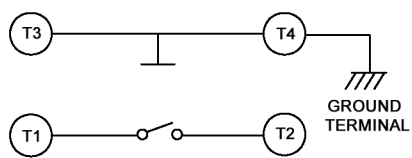


P.C.B. LAYOUT



CIRCUIT DIAGRAM



Tolerances: ±0.20mm max.	Date	Name
	01/12	dr
Modifications	Date	Name

TS 644 x B-RA

knitter-switch

30 25 13

Specifications:

Contact rating: 50mA, 12V DC
Contact resistance: 100mOhm max.
Insulation resistance: 100MOhm min. at 500V DC for 1 minute +/-5sec.
Dielectric strength: 250V AC (50/60Hz) for 1 minute
Operating temperature: -40°C to +85°C
Storage temperature: -40°C to +85°C
Soldering conditions: 260 +/-3°C, 5 +/-1sec.; pre-heat max. 100°C, max. 60sec.
Travel: 0.25 +0.2/-0.1mm
Material: Cover: steel, silver plated
 Stem: thermoplastic nylon UL94V-0
 Contact: phosphor bronze, 0.076µm gold plated over nickel
 Terminal: brass, 0.076µm gold plated over nickel
 Base: thermoplastic nylon UL94V-0, molded black

x	Operating force (gf)	Colour of stem	Electrical life
K	100 +/-50	black	200 000 cycles
N	160 +/-50	brown	200 000 cycles
R	260 +/-50	red	100 000 cycles
S	320 +/-80	salmon	50 000 cycles
Y	520 +/-130	yellow	50 000 cycles



Tolerances: ±0.20mm max.			Date	Name	TS 644 x B-RA
			01/12	dr	
			knitter-switch		30 25 13
					Page
					2/2
Modifications	Date	Name			