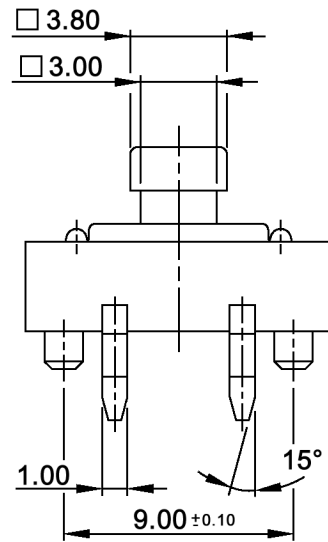
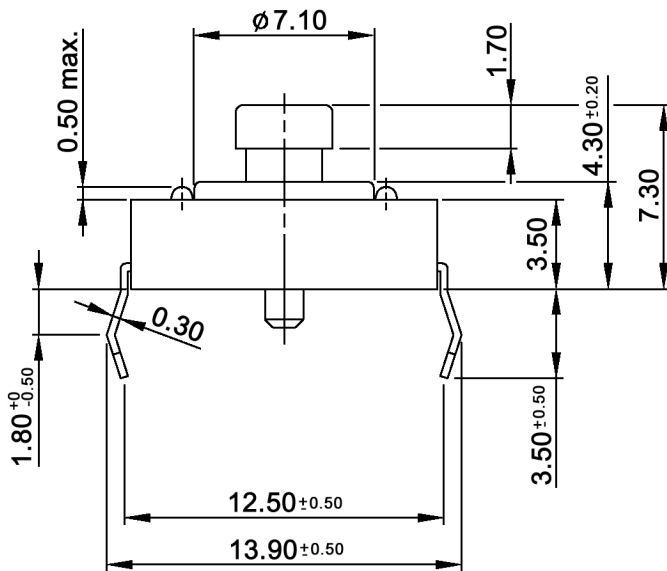
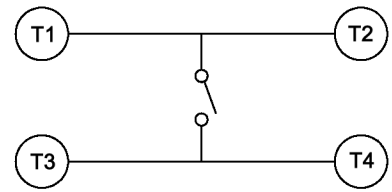
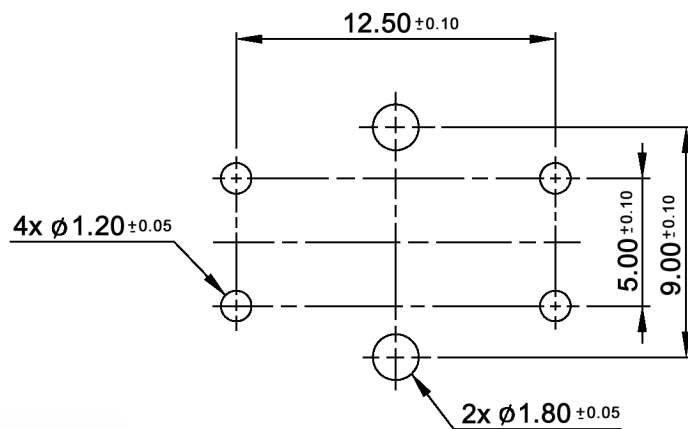


CIRCUIT DIAGRAM



P.C.B. LAYOUT



Tolerances: ±0.20mm			Date	Name
			04/09	dr
Modifications	Date	Name		

**TS 24 PR**

**knitter-switch**

**30 17 78**

Page

1/2

Specifications:

Contact rating: 50mA, 12V DC  
 Contact resistance: 100mOhm max.  
 Insulation resistance: 100MOhm min. at 500V DC  
 Dielectric strength: 250V, 50Hz for the duration of 1 minute  
 Operating temperature: -25°C to +70°C  
 Electrical life: min. 100 000 cycles  
 Operating force: 2.6N; color of stem: red  
 Soldering conditions: hand-soldering: max.: 320°C, 2sec., 30W  
 auto-soldering: max.: 260°C, 5sec.  
 Travel: 0.35 +0.2/-0.1mm  
 Mounting: on pc-board  
 Material: Contacts: phosphor bronze, silver plated  
 Terminals: PC terminals, brass, silver plated



Tolerances: ±0.20mm		Date	Name	<h1>TS 24 PR</h1>
		04/09	dr	
		<b>knitter-switch</b>		<h2>30 17 78</h2>
				Page
				2/2
Modifications	Date	Name		