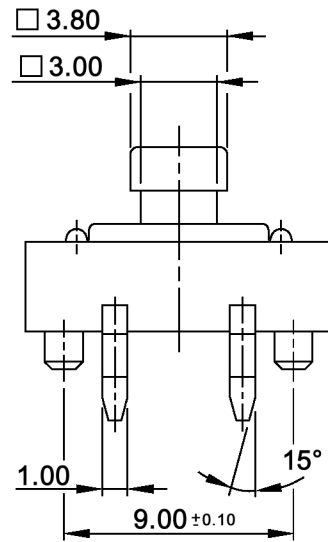
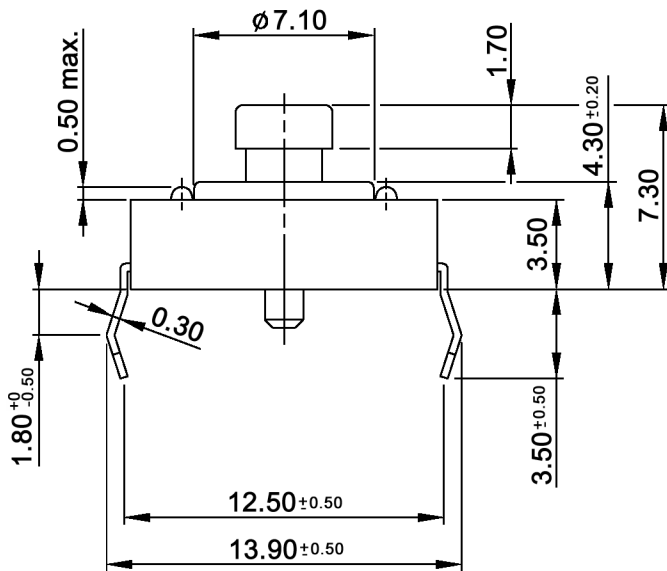
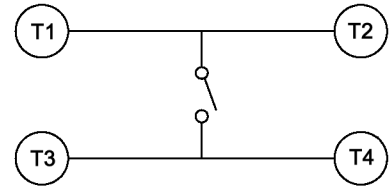
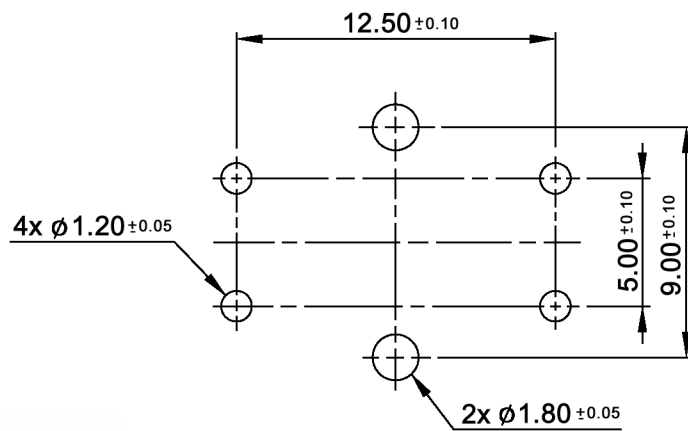


CIRCUIT DIAGRAM



P.C.B. LAYOUT



Tolerances: ±0.20mm			Date	Name
			04/10	dr
Modifications	Date	Name		

TS 24 PR-S

knitter-switch

30 20 69

Page

1/2

Specifications:

Contact rating: 50mA, 12V DC
 Contact resistance: 100mOhm max.
 Insulation resistance: 100MOhm min. at 500V DC
 Dielectric strength: 250V, 50Hz for the duration of 1 minute
 Operating temperature: -25°C to +70°C
 Electrical life: min. 500 000 cycles
 Operating force: 2.6N; color of stem: red
 Soldering conditions: hand-soldering: max.: 320°C, 2sec., 30W
 auto-soldering: max.: 260°C, 5sec.
 Travel: 0.35 +0.2/-0.1mm
 Mounting: on pc-board
 Material: Contacts: stainless steel, silver plated
 Terminals: PC terminals, brass, silver plated



Tolerances: ±0.20mm			Date	Name	<h1>TS 24 PR-S</h1>
			04/10	dr	
			knitter-switch		<h2>30 20 69</h2>
Modifications			Date	Name	Page 2/2