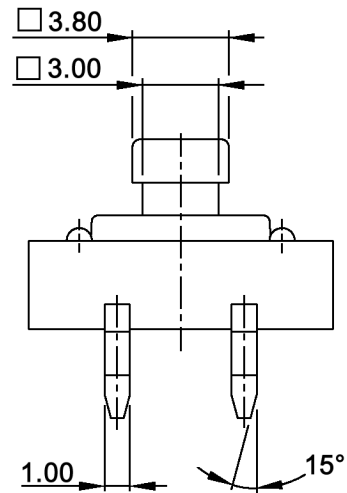
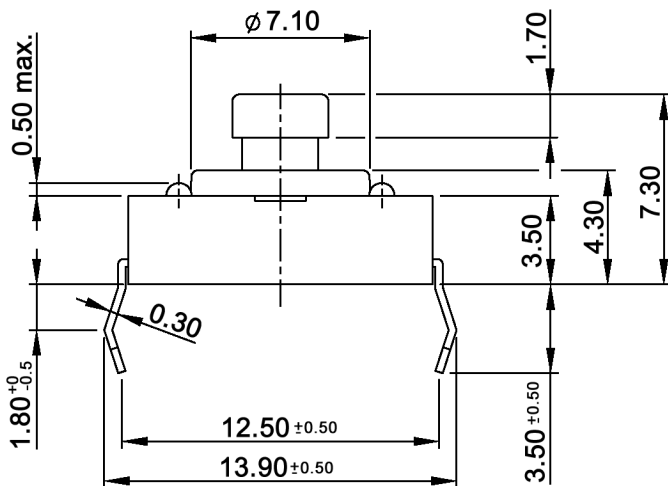
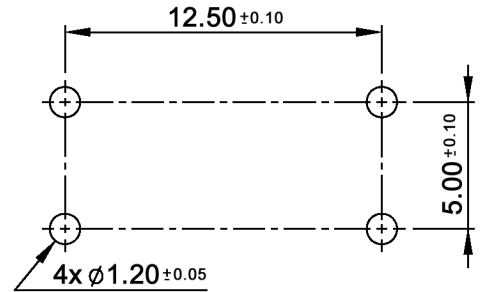
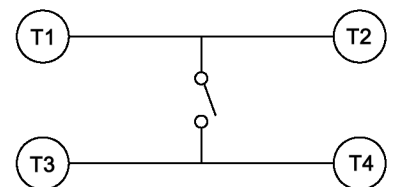


P.C.B. LAYOUT



CIRCUIT DIAGRAM



Specifications:

- Contact rating: 50mA, 12V DC
- Contact resistance: 100mOhm max.
- Insulation resistance: 100MOhm min. at 500V DC for 1 minute +/-5sec.
- Dielectric strength: 250V AC (50/60Hz) for 1 minute
- Operating temperature: -25°C to +70°C
- Storage temperature: -30°C to +80°C
- Mechanical life: 100 000 cycles
- Operating force: 160 +/-50g
- Material:
  - Cover: stainless steel
  - Stem: high-temp. thermoplastic nylon UL94V-0
  - Contact: phosphor bronze, gold plated
  - Terminal: brass, gold plated
  - Base: high-temp. thermoplastic nylon UL94V-0, molded black



Tolerances: max. ±0.20mm	Date	Name
	08/08	dr
Modifications	Date	Name

**TS 24 NB**

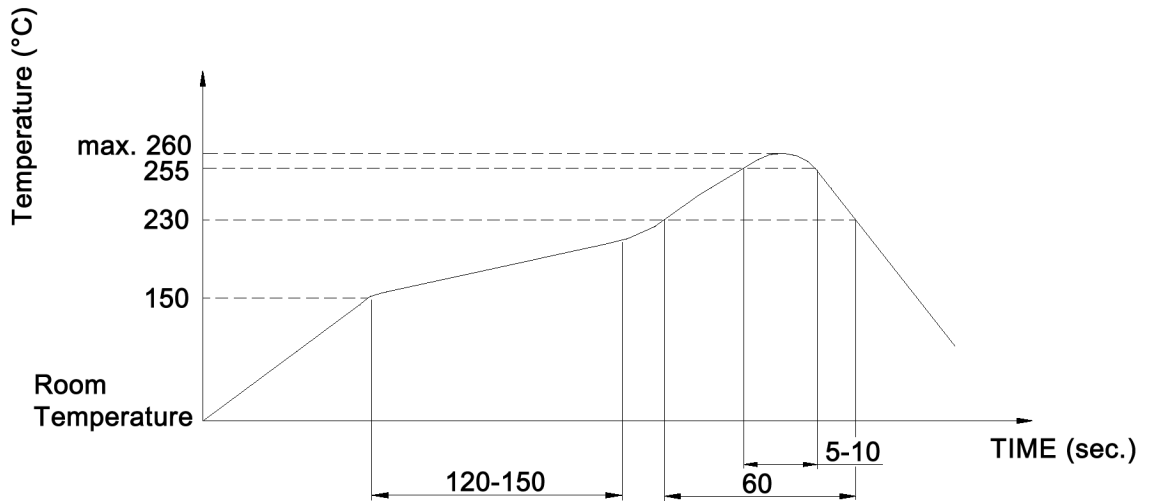
**30 15 72**

Page

1/2

**knitter-switch**

Soldering conditions:



Tolerances: max. ±0.20mm			Date	Name	<b>TS 24 NB</b>
			08/08	dr	
			<b>knitter-switch</b>		<b>30 15 72</b>
Modifications			Date	Name	Page 2/2