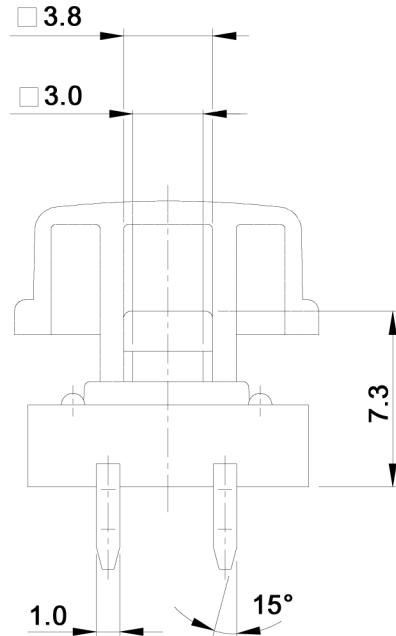
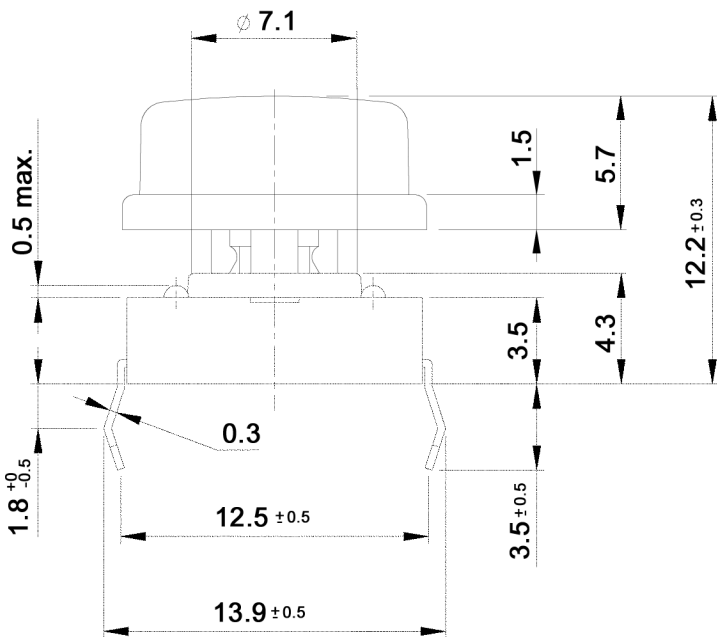
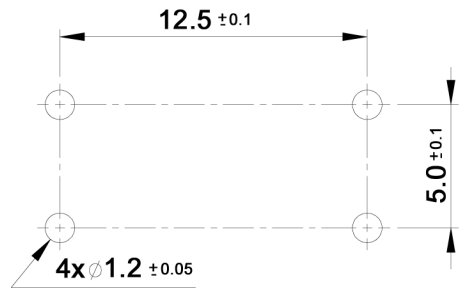
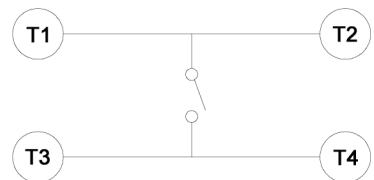


P.C.B. LAYOUT



CIRCUIT DIAGRAM



Tolerances: max. ±0.2mm			Date	Name
			06/05	dr
General tolerances	03/10	dr	<b>knitter-switch</b>	
Modifications	Date	Name		

**TS 24 / KTSC 22**

**30 06 42**

Page

1/1