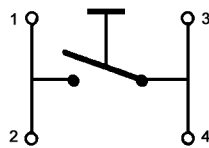
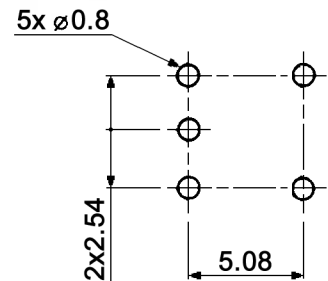


**CIRCUIT DIAGRAM**



**P.C. MOUNTING**



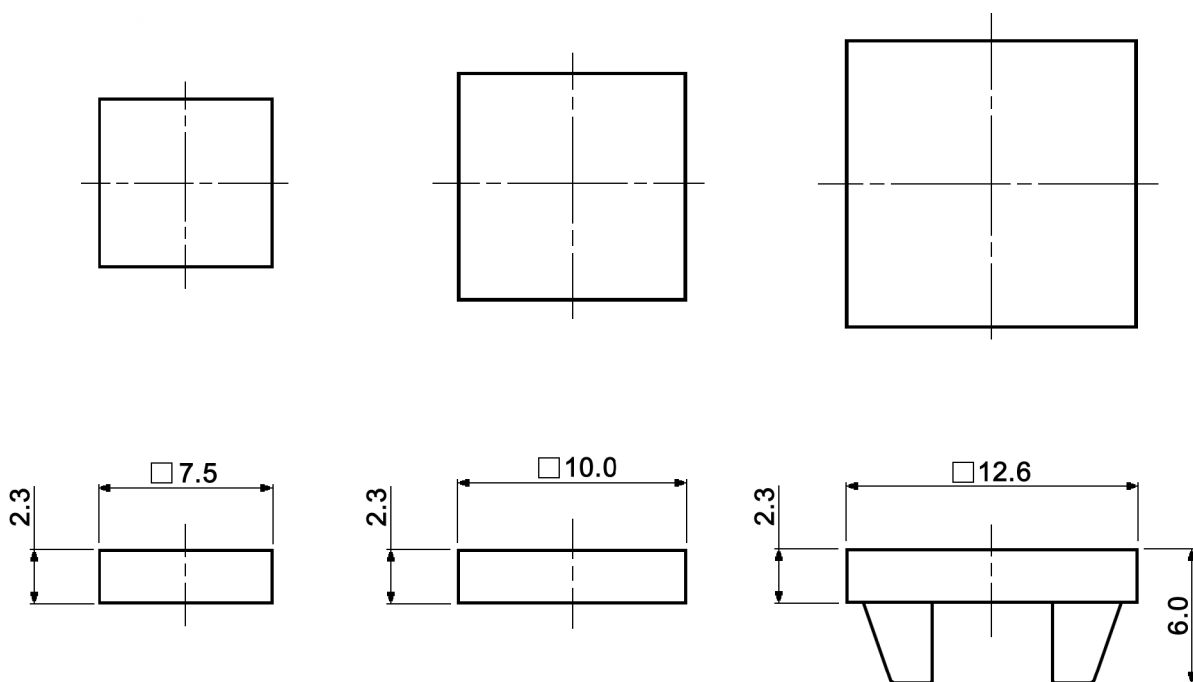
**Specifications:**

- Contact rating:** TR: 10mA, 12V DC  
TM: 50mA max., 48V DC, 1W
- Contact resistance:** TR: 500Ohm max. at 1.5N operating force  
TM: 100mOhm max. at 2N operating force
- Insulation resistance:** 100MOhm min. at 100V DC
- Dielectric strength:** 250V, 50Hz for the duration of 1 minute
- Operating temperature:** -25°C to +70°C
- Electrical life:** TR: min. 100 000 cycles  
TM: min. 300 000 cycles
- Soldering conditions:** TR: auto-soldering: max.: 245 +/-10°C, 3sec.  
TM: auto-soldering: max.: 300°C, 5sec.
- Switching function:** off - mom
- Mounting:** TR: 1.0mm  
TM: 0.25mm
- Mounting:** on pc-board
- Material:** Contacts: TR: rubber contact bridge; fixed contact phosphor bronze, gold plated  
TM: metal contact; stainless steel, silver plated  
Terminals: PC terminals; TR: gold plated  
TM: silver plated  
Button: PBT  
Case: TR: PA meets UL94V-0  
TM: 6T PA resin  
Caps: ABS



Tolerances:	Date	Name	<b>TR 1 / TM 1</b>	<b>20 09 89</b>	Page
	01/09	dr			
			<b>knitter-switch</b>		1/4
Modifications	Date	Name			

# Caps:



dark grey  
grey  
light grey  
ivory  
silver  
red  
green  
blue  
brown

KT 1017  
KT 1007  
KT 1027  
KT 1011  
KT 1021  
KT 1009  
KT 1006  
KT 1004  
KT 1002

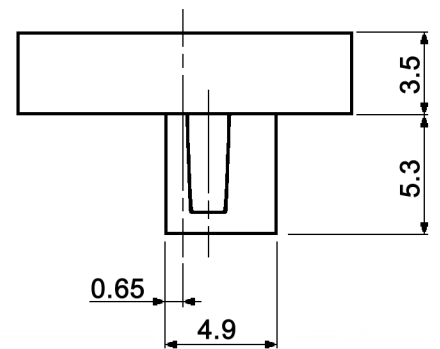
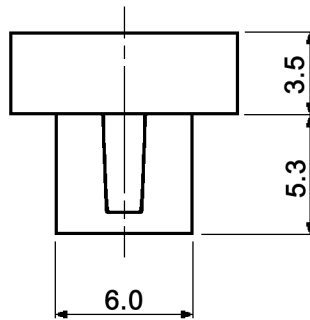
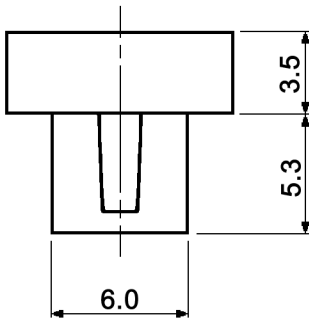
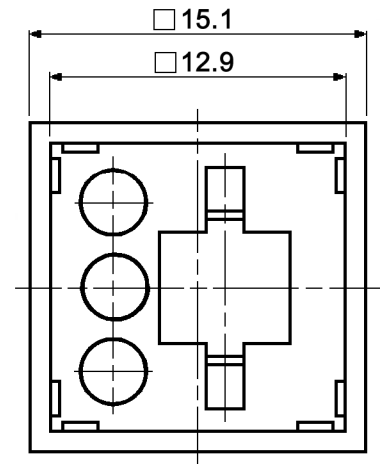
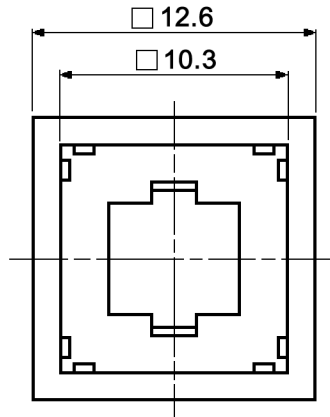
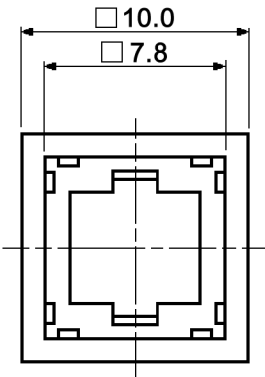
KT 2017  
KT 2007  
KT 2027  
KT 2011  
KT 2021  
KT 2009  
KT 2006  
KT 2004  
KT 2002

KT 3017  
KT 3007  
KT 3027  
KT 3011  
KT 3021  
KT 3009  
KT 3006  
KT 3004  
KT 3002



Tolerances:			Date	Name	<h1>TR 1 / TM 1</h1>
			01/09	dr	
			<b>knitter-switch</b>		<b>20 09 89</b>
Modifications			Date	Name	Page 2/4

**Bezels:**



dark grey FM 1017  
 grey FM 1007  
 light grey FM 1027  
 ivory FM 1011

FM 2017  
 FM 2007  
 FM 2027  
 FM 2011

FM 3017  
 FM 3007  
 FM 3027  
 FM 3011



Tolerances:			Date	Name
			01/09	dr
Modifications	Date	Name		

**TR 1 / TM 1**

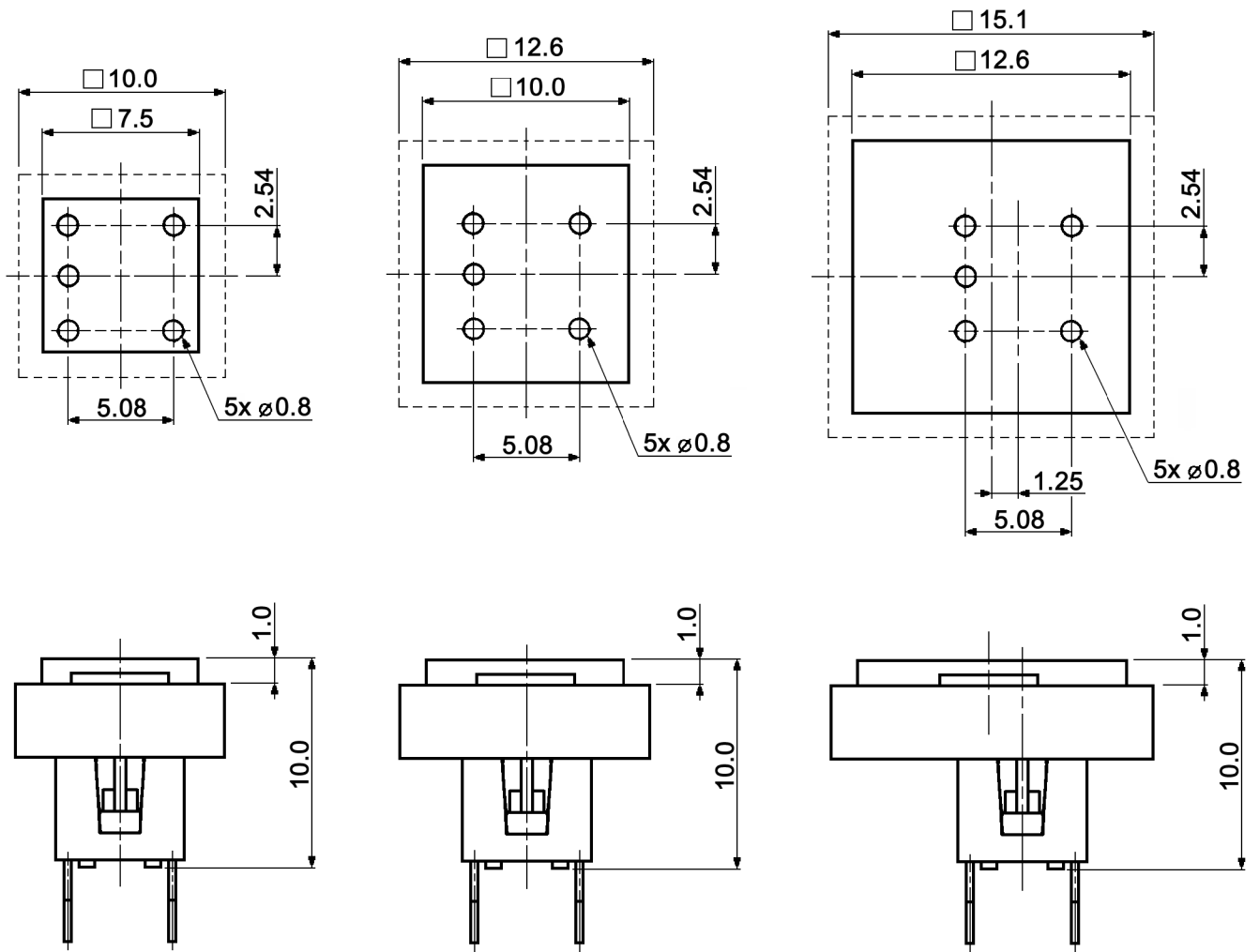
**knitter-switch**

**20 09 89**

Page

3/4

Mounting dimensions:



Tolerances:			Date	Name	<b>TR 1 / TM 1</b>
			01/09	dr	
			<b>knitter-switch</b>		<b>20 09 89</b>
Modifications			Date	Name	Page 4/4