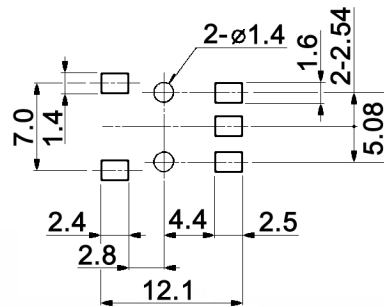


P.C.B. DIMENSION

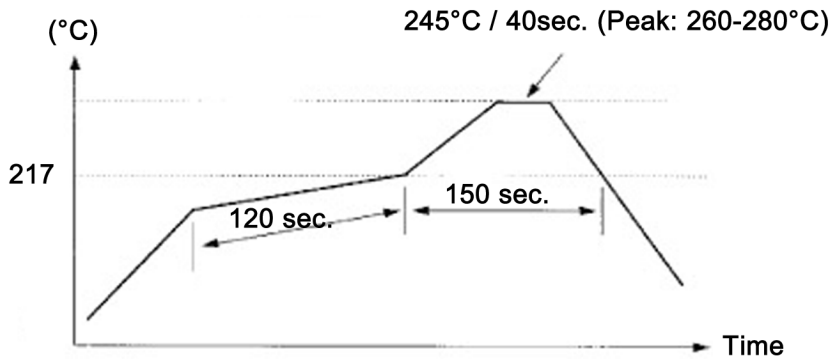


Specifications:

- Contact rating: 0.4VA, 28V AC or DC max.
- Contact resistance: 50mOhm max.
- Insulation resistance: 500MOhm min. at 500V DC
- Dielectric strength: 500V AC for 1 minute
- Operating temperature: -25°C to +80°C
- Operating force: 250 +/-100gf
- Switching function: on - mom
- Travel: 1.1mm
- RoHS compliant
- Material: Insulator: fiberglass reinforced polyamide
Terminal: brass, gold plated

Maßstab		Datum	Name	<h1>SSP 1FVB-RA</h1>
Oberfläche		03/07	dr	
		knitter-switch		<h2>30 10 90</h2>
Zust	Änderung	Datum	Name	Blatt 1/2

Soldering conditions:



Above is the temperature on the Cu foil of the P.C.B. Switch's surface temperature is set at 260°C maximum due to a possibility where board's material, size, thickness could cause its temperature differs greatly from switch's surface temperature.

Manual Soldering:

Soldering Temperature	max. 350°C
Continuous Soldering Time	max. 3 sec.

Solderability:

No Anti-soldering and the coverage of dipping into solder must be more than 90%.

Maßstab		Datum	Name	SSP 1FVB-RA
Oberfläche		03/07	dr	
				30 10 90
			knitter-switch	
Zust	Änderung	Datum	Name	Blatt 2/2