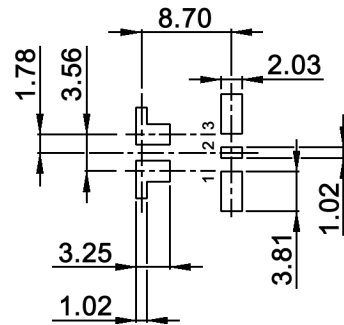


SWITCH FUNCTION

Model No.	POS. 1	POS. 2
SSP 1 FT	ON	MOM
Term. Comm.	2-1	2-3

P.C. MOUNTING



Specifications:

Contact rating: 3A, 120V AC or 28V DC; 1A, 250V AC  
 Contact resistance: 20mOhm max. at 2-4V DC  
 Insulation resistance: 1 000MOhm min.  
 Dielectric strength: 1 000V RMS  
 Operating temperature: -30°C to +85°C  
 Mechanical life: 50 000 make-and-break cycles  
 RoHS compliant  
 Material: Case / bushing: glass filled nylon, flame retardant, heat stabilized (UL94V-0)  
 Plunger: thermoplastic polyester (UL94V-0)  
 Switch support: brass or steel electrotin plated  
 Contact: gold over silver, tin-lead

Maßstab		Datum	Name	<h1>SSP 1 FT-R</h1>
Oberfläche		10/06	dr	
			<b>knitter-switch</b>	<h2>30 09 83</h2>
Zust	Änderung	Datum	Name	Blatt 1/1