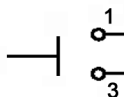
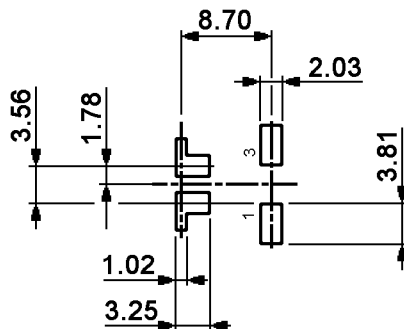


SCHEMATIC



P.C. MOUNTING



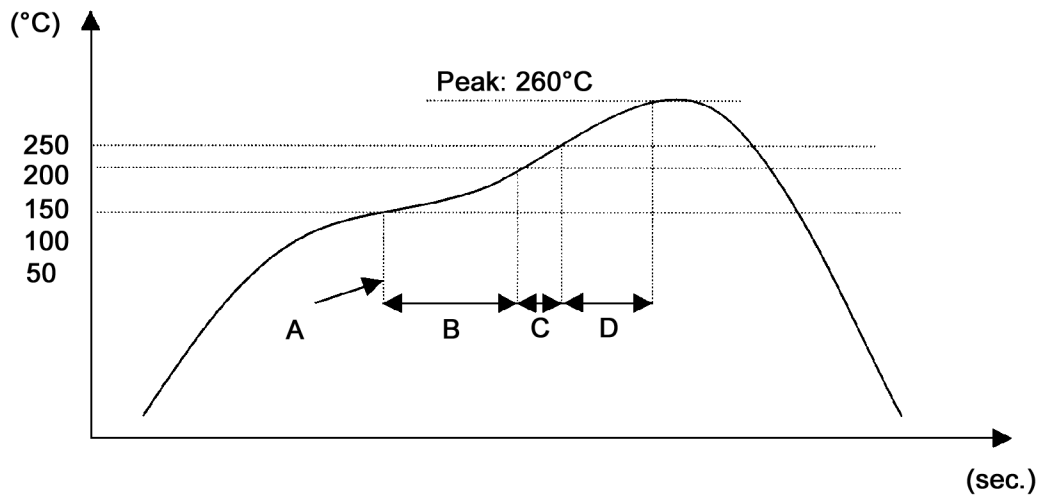
Specifications:

- Contact rating: 3 A, 120V AC or 28V DC;
1 A, 250V AC
- Contact resistance: 20mOhm max.
- Insulation resistance: 1000MOhm min. / 1000V
- Dielectric strength: 1,5KV (60Hz, 1 min)
- Operating temperature: -40°C to +85°C
- Mechanical life: 50 000 operations
- Electrical life: 6 000 operations
- Operating force: 200g +/- 50g
- Contacts: gold over silver
- Terminals: tin plated
- IP67: According to EN 60529 : 1991 + A1 : 2000
IEC 60529 : 2001

RoHS compliant

Maßstab		Datum	Name	<h1>SSP 1 CT R11</h1>
Oberfläche		12/05	dr	
Operating temperature	10/06	dr	knitter-switch	<h2>30 07 39</h2>
Schematic	12/05	dr		
Zust	Änderung	Datum	Name	1/3

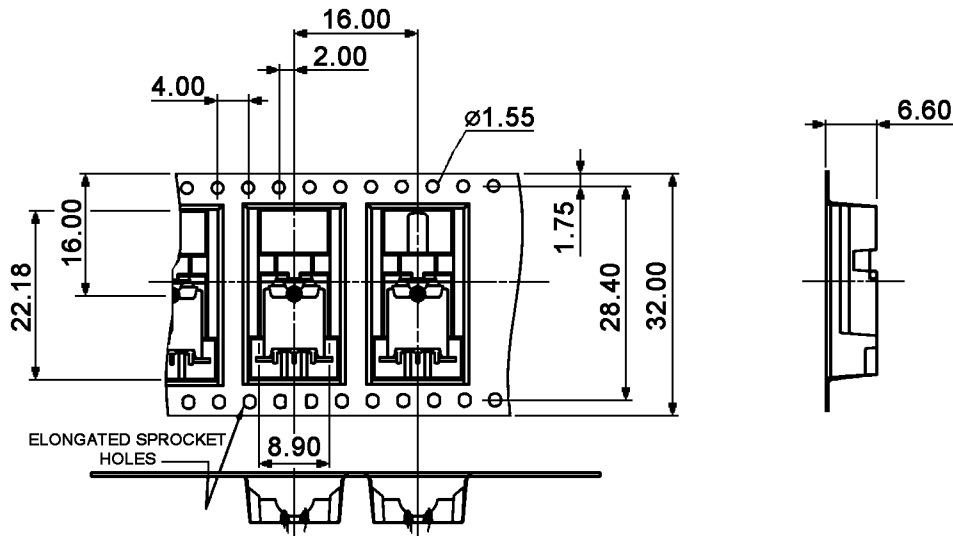
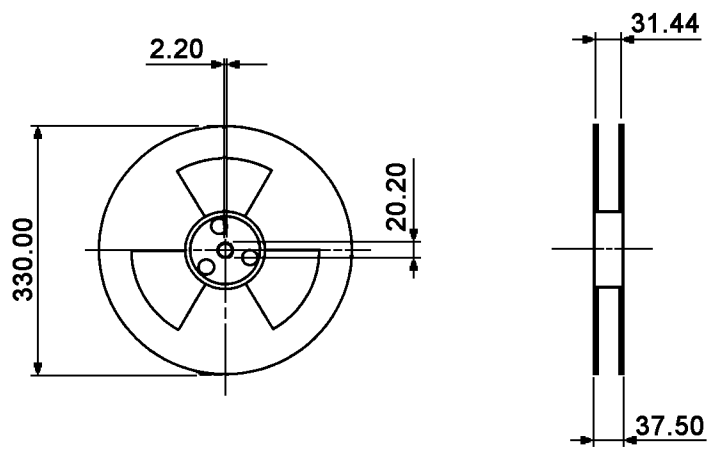
Soldering profile:



ZONE	ROOM TEMPERATURE	SEC.
Pre-heat (A)	150°C	min. 120sec.
Soak (B)	180°C - 200°C	min. 150sec.
Peak (C)	200°C - 235°C	min. 30sec.
Peak (D)	235°C - 260°C	min. 40sec.

Maßstab		Datum	Name	SSP 1 CT R 11
Oberfläche		12/05	dr	
		knitter-switch		30 07 39
Zust	Änderung	Datum	Name	Blatt 2/3

Packaging:



500 PIECES PER REEL

Maßstab		Datum	Name	SSP 1 CT R11
Oberfläche		12/05	dr	
			knitter-switch	30 07 39
Zust	Änderung	Datum	Name	Blatt 3/3