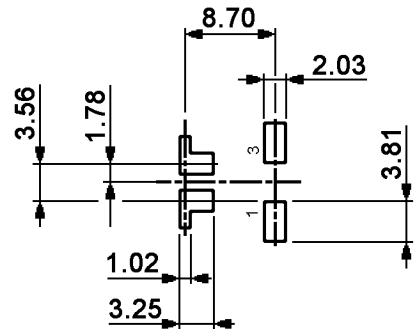


P.C. MOUNTING



Specifications:

- Contact rating: 3 A, 120V AC or 28V DC;
1A, 250V AC
- Contact resistance: 20mOhm max.
- Insulation resistance: 1000MOhm min. / 1000V
- Dielectric strength: 1,5KV (60Hz, 1 min)
- Operating temperature: -40°C to +85°C
- Mechanical life: 50 000 operations
- Electrical life: 6 000 operations
- Operating force: 200g +/- 50g
- Contacts: gold over silver
- Terminals: tin-lead
- IP67: According to EN 60529 : 1991 + A1 : 2000
IEC 60529 : 2001

Maßstab		Datum	Name	<h1>SSP 1CT R1</h1>
Oberfläche		12/04	dr	
Operating temperature	10/06	dr	knitter-switch	<h1>30 05 32</h1>
Zust	Änderung	Datum	Name	Blatt 1/1