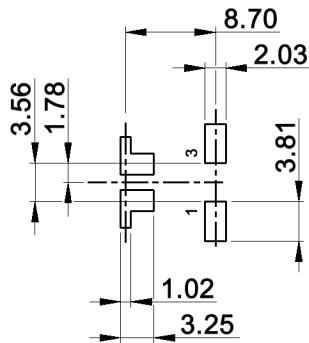


P.C. MOUNTING



SWITCH FUNCTION

Model No.	POS. 1	POS. 2
	SSP 1 C	OFF
Term. Comm.	OPEN	1-3

Specifications:

- Contact rating: 3A, 120V AC or 28V DC  
1A, 250V AC
- Contact resistance: 20mOhm max. at 2-4V DC
- Insulation resistance: 1 000MOhm min.
- Dielectric strength: 1 000V RMS
- Operating temperature: -30°C to +85°C
- Mechanical life: 50 000 make-and-break cycles
- Material: Case / bushing: glass filled nylon 66, flame retardand, heat stabilized (UL94V-0)  
Plunger: thenoplastic polyester (UL94V-0)  
Switch support: brass or steel electrotin plated  
Contact: silver plated copper alloy



Tolerances: 0.00: ±0.25mm 0.0: ±0.40mm	Date	Name
	10/07	dr
Modifications	Date	Name

**SSP 1 C-R**

**knitter-switch**

**30 12 65**

Page

1/1