

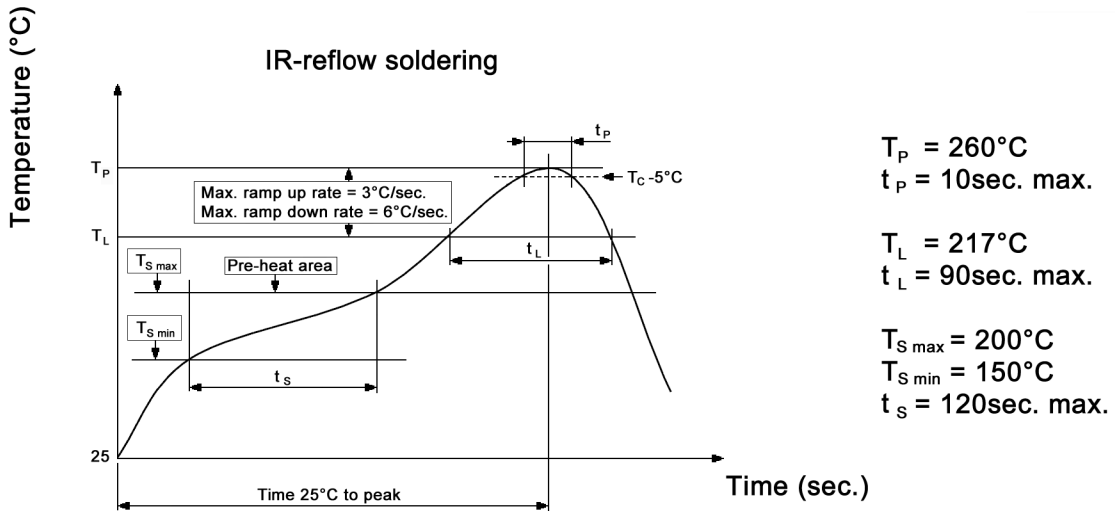
Part No.	Poles	A
SMS 502 TG	2	6.3
SMS 504 TG	4	11.4
SMS 506 TG	6	16.5
SMS 508 TG	8	21.55
SMS 510 TG	10	26.65

Tolerances:			Date	Name	SMS 500 TG
			05/10	dr	
					knitter-switch
					30 21 04
Material	06/10	dr			Page
Modifications	Date	Name			1/3

Specifications:

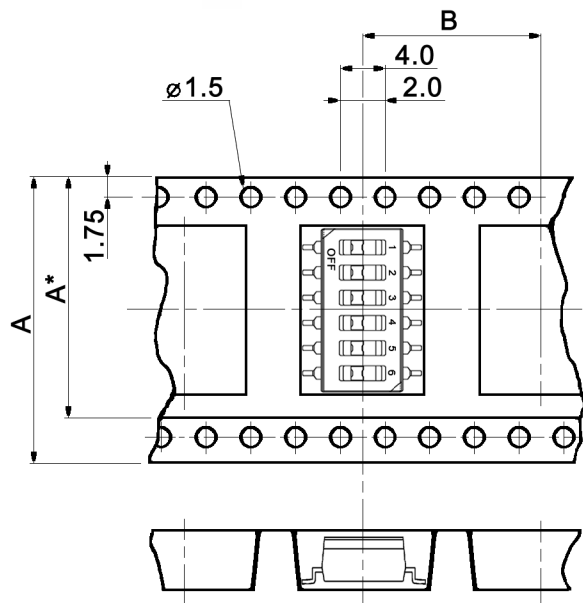
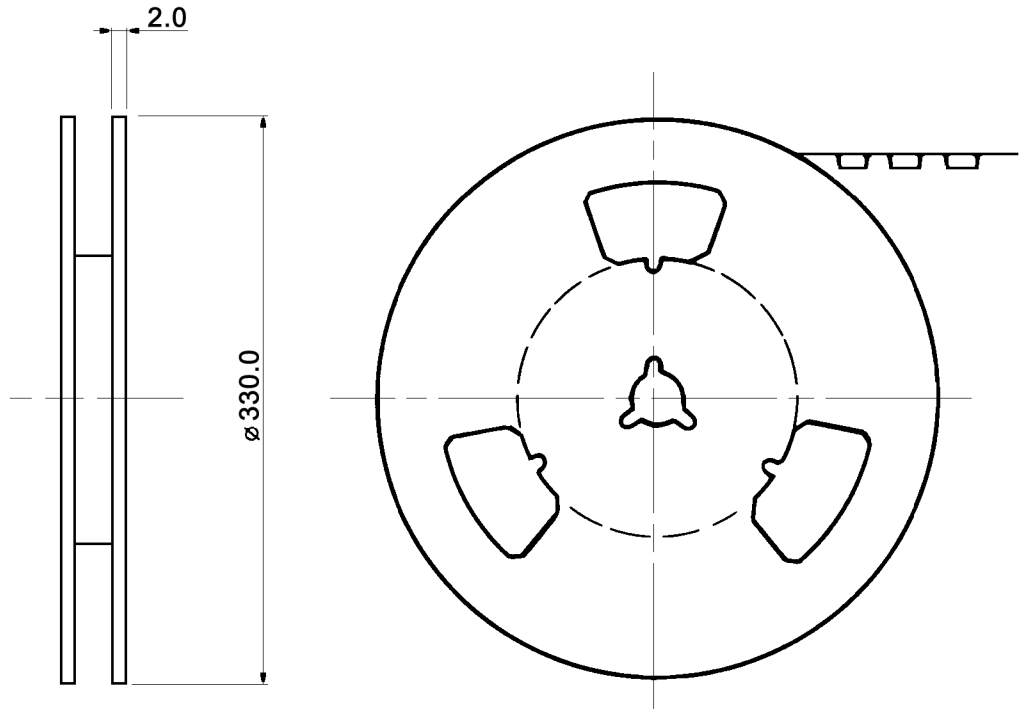
Contact rating: 100mA, 50V DC
Contact resistance: 50mOhm max.
Insulation resistance: 1 000MOhm min. at 100V DC
Dielectric strength: 500V, 50Hz for the duration of 1 minute
Capacity: max. 5pF between 2 poles
Operating temperature: -25°C to +85°C
Mechanical life: min. 1 000 cycles
Shock resistance: contact interruption <10µsec. with triple shock in all 6 direction
 shock conditions: 20G, 11msec. duration (sine half wave)
Vibration: contact interruption: <10µsec. at vibration test in accordance with MIL-STD-202 D, method 204, condition C
Construction: case sealed, slide recessed, sealed with protective tape
Mounting: on pc-board - SMD
Slide position: off
Material: Contacts: beryllium copper, plated 0.8µm gold over 0.8µm nickel
 Terminals: nickel silver, plated 0.8µm gold over 0.8µm nickel
 Case / slide: PA

Soldering conditions:

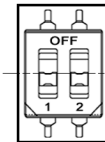


Tolerances:	Date	Name	SMS 500 TG	30 21 04	Page
	05/10	dr			
			knitter-switch		2/3
Modifications	Date	Name			

Packaging:



SMS 500 TG



Part No.	A	B	psc. / reel
SMS 502 TG	16.0 *	8.0	2000
SMS 504 TG	24.0 *	12.0	1000
SMS 506 TG	24.0 *	12.0	1000
SMS 508 TG	32.0	12.0	1000
SMS 510 TG	44.0	12.0	1000



Tolerances:	Date	Name	<h1>SMS 500 TG</h1>
	05/10	dr	
			<h2>knitter-switch</h2>
			<h2>30 21 04</h2>
			Page 3/3
Modifications	Date	Name	