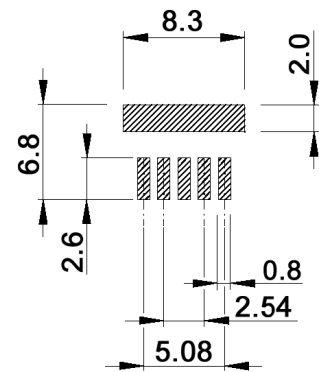


P.C.B. LAYOUT



Type:	Code:
SMRR 8010-1	BCD real
SMRR 8110-1	BCD complement
SMRR 8016-1	Hexadecimal real
SMRR 8116-1	Hexadecimal complement



Tolerances: ±0.3mm	Date	Name
	08/08	dr
Modifications	Date	Name

SMRR 8000-1

knitter-switch

30 15 66

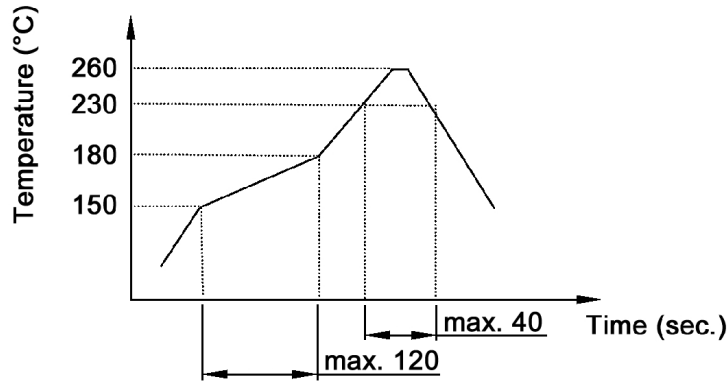
Page

1/3

Specifications:

Contact rating: non-switching: 100mA, 50V DC
 switching: 30mA, 15V DC
Contact resistance: 200mOhm max.
Insulation resistance: 1 000MOhm min. at 250V DC
Dielectric strength: 250V, 50Hz for the duration of 1 minute
Operating temperature: -25°C to +85°C
Mechanical life: min. 20 000 cycles
Material: Contacts: gold plated
 Terminals: copper alloy, gold plated
 Case: LCP, UL94V-0, black
 Frame: stainless steel
 Rotor: LCP, UL94V-0, yellow for real code, red for complement code
 O-ring: silicone rubber UL94-HB

Recommended reflow soldering profile:



Tolerances: ±0.3mm			Date	Name	SMRR 8000-1
			08/08	dr	
			knitter-switch		30 15 66
Modifications			Date	Name	Page 2/3

Codes:

BCD

		Real coded				
		C	1	2	4	8
10 P o s i t i o n	0	●				
	1	●	●			
	2	●		●		
	3	●	●	●		
	4	●			●	
	5	●	●		●	
	6	●		●	●	
	7	●	●	●	●	
	8	●				●
	9	●	●			●

BCD inverse

		Complement coded				
		C	1	2	4	8
10 P o s i t i o n	0	●	●	●	●	●
	1	●		●	●	●
	2	●	●		●	●
	3	●			●	●
	4	●	●	●		●
	5	●		●		●
	6	●	●	●		●
	7	●				●
	8	●	●	●	●	
	9	●		●	●	

Hexadecimal

		Real coded				
		C	1	2	4	8
16 P o s i t i o n	0	●				
	1	●	●			
	2	●		●		
	3	●	●	●		
	4	●			●	
	5	●	●		●	
	6	●	●	●	●	
	7	●	●	●	●	
	8	●				●
	9	●	●			●
	A	●		●		●
	B	●	●	●		●
	C	●			●	●
	D	●	●		●	●
	E	●		●	●	●
	F	●	●	●	●	●

Hexadecimal inverse

		Complement coded				
		C	1	2	4	8
16 P o s i t i o n	0	●	●	●	●	●
	1	●		●	●	●
	2	●	●		●	●
	3	●			●	●
	4	●	●	●		●
	5	●		●		●
	6	●	●	●		●
	7	●				●
	8	●	●	●	●	
	9	●		●	●	
	A	●	●		●	
	B	●			●	
	C	●	●	●		
	D	●		●		
	E	●	●			
	F	●				



Tolerances: ±0.3mm			Date	Name	<h1>SMRR 8000-1</h1>
			08/08	dr	
			knitter-switch		<h2>30 15 66</h2>
Modifications			Date	Name	Page 3/3