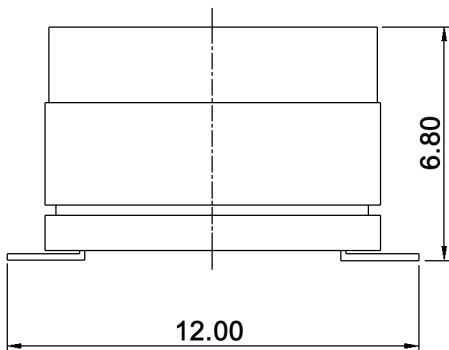
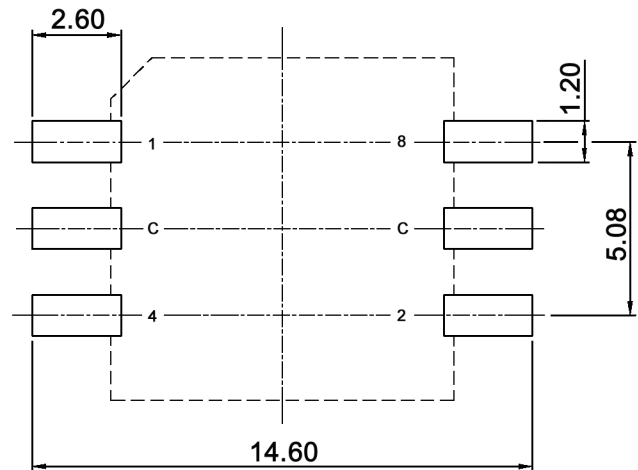


coplanarity failure +/-0.05mm max.



P.C.B. DIMENSION



BCD

		Real coded				
		C	1	2	4	8
10 P o s i t i o n s	0	●				
	1	●	●			
	2	●		●		
	3	●	●	●		
	4	●			●	
	5	●	●		●	
	6	●		●	●	
	7	●	●	●	●	
	8	●				●
	9	●	●			●



Tolerances:		Date	Name
		01/08	dr
IP rating	07/09	dr	
Operating temperature	11/08	dr	
Coplanarity failure	08/08	dr	
Packaging	07/08	dr	
Modifications	Date	Name	

SMR 60010

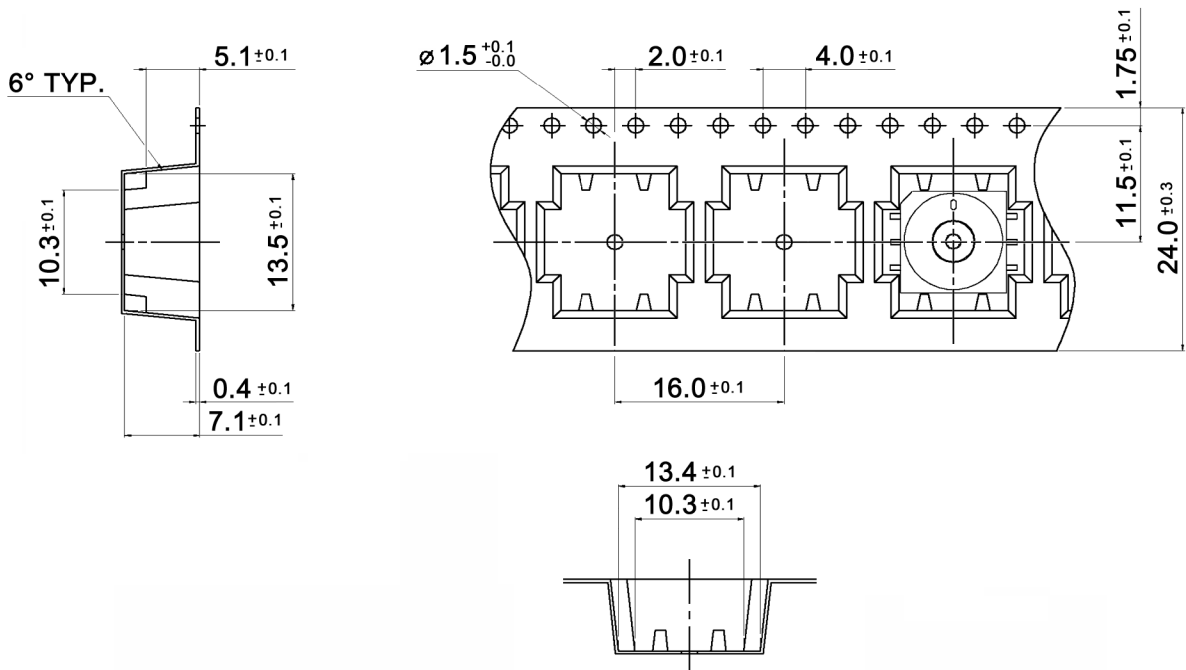
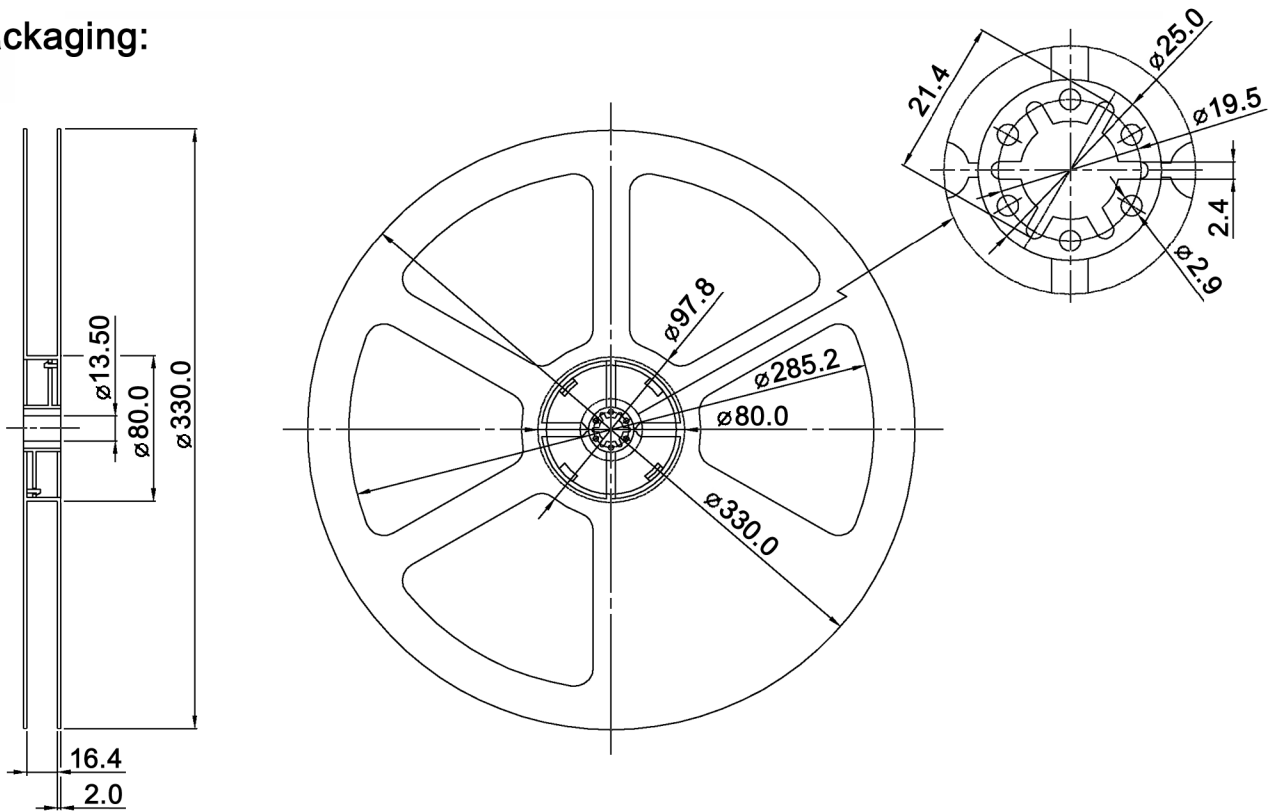
knitter-switch

30 13 61

Page

1/3

Packaging:



Packaging unit: 600 pcs / reel



Tolerances:			Date	Name	<h1>SMR 60010</h1>
			07/08	dr	
			knitter-switch		<h2>30 13 61</h2>
Modifications			Date	Name	Page 3/3