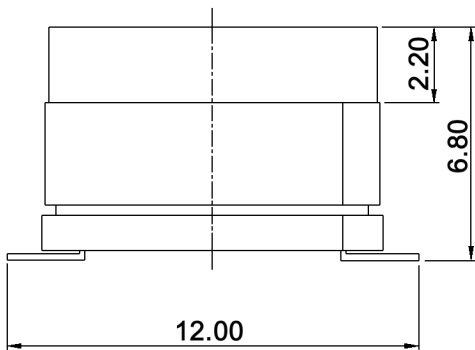
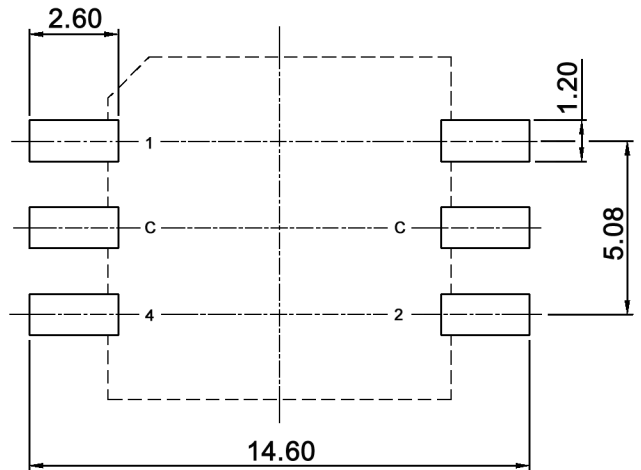


coplanarity failure +/-0.05mm max.



P.C.B. DIMENSION



		Real coded				
		C	1	2	4	8
8 P o s i t i o n s	0	●				
	1	●	●			
	2	●		●		
	3	●	●	●		
	4	●			●	
	5	●	●		●	
	6	●		●	●	
	7	●	●	●	●	



Tolerances:	Date	Name
	09/08	dr
IP rating	07/09	dr
Modifications	Date	Name

SMR 60008

knitter-switch

30 15 97

Page

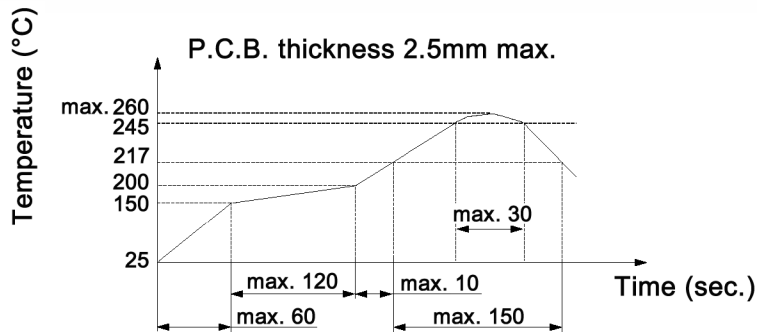
1/3

Specifications:

Contact rating: non-switching: 400mA, 24V DC
switching: 150mA, 24V DC
Contact resistance: 80mOhm max.
Insulation resistance: 100MOhm min. at 250V DC for 1 minute +/-5sec.
Dielectric strength: 250V AC (50/60Hz) for 1 minute
Operating temperature: -60°C to +125°C
Storage temperature: -60°C to +125°C
Mechanical life: 10 000 cycles
Operating force: 700gf/cm max.
Material: Cover: PA6T, black
Base: PA6T
Actuator: PA66, STS
Contact / terminal: phosphor bronze, min. 0.07µm gold plated
over min. 0.1µm nickel
PCB: epoxy seal, min. 0.05µm gold plated
O-ring: silicone

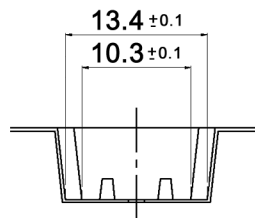
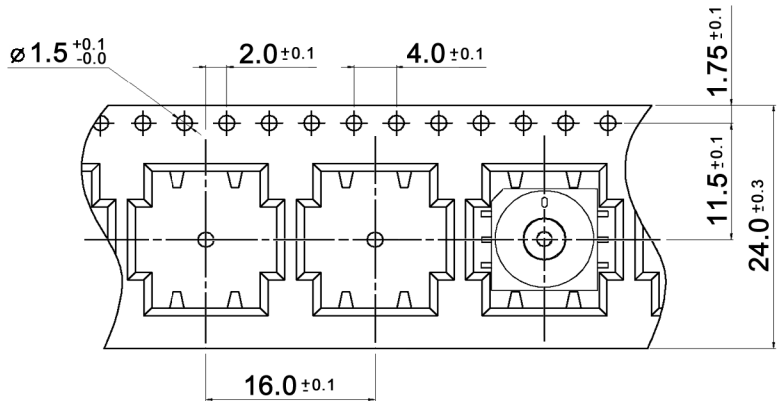
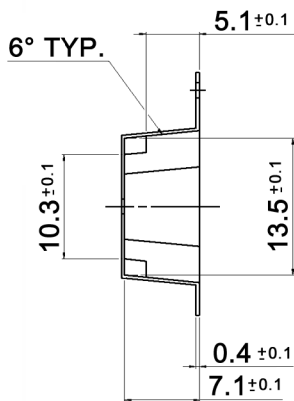
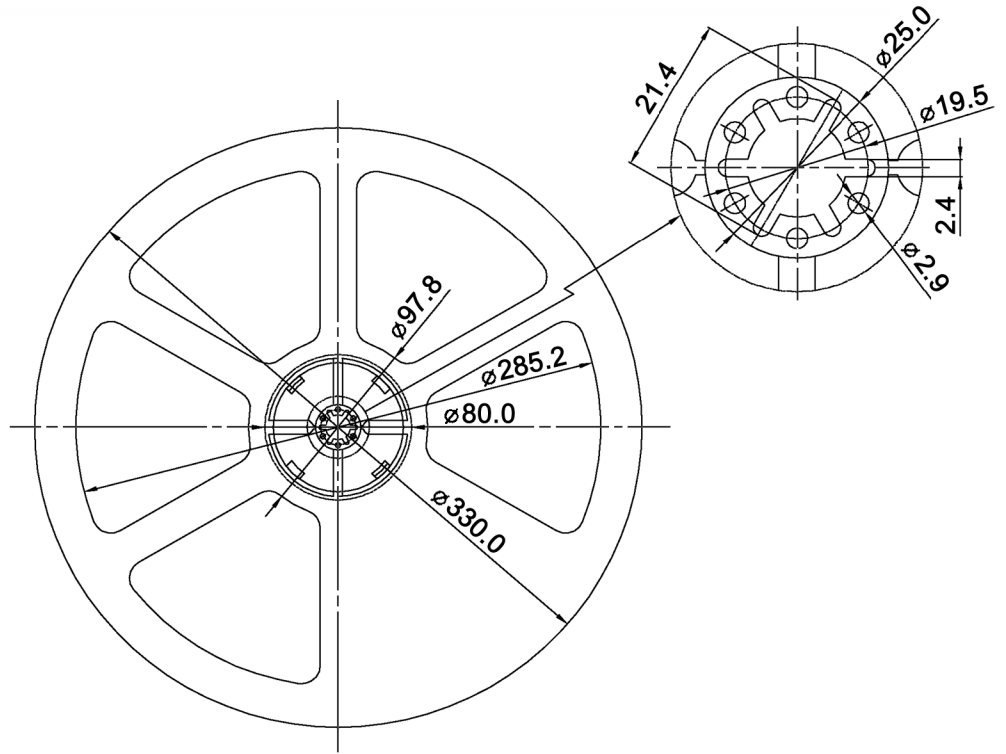
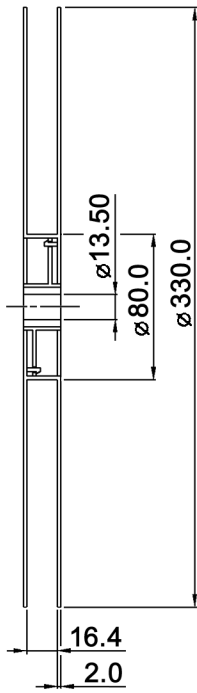
IP rating: IP67

Soldering conditions:



Tolerances:	Date	Name	SMR 60008
	09/08	dr	
			30 15 97
			Page
			2/3
Modifications	Date	Name	

Packaging:



Packaging unit: 600 pcs / reel



Tolerances:			Date	Name
			09/08	dr
Modifications	Date	Name		

SMR 60008

knitter-switch

30 15 97

Page

3/3