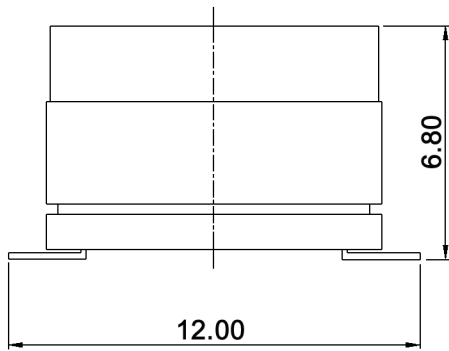
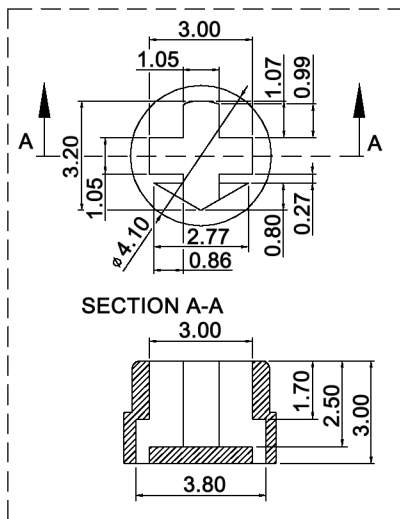
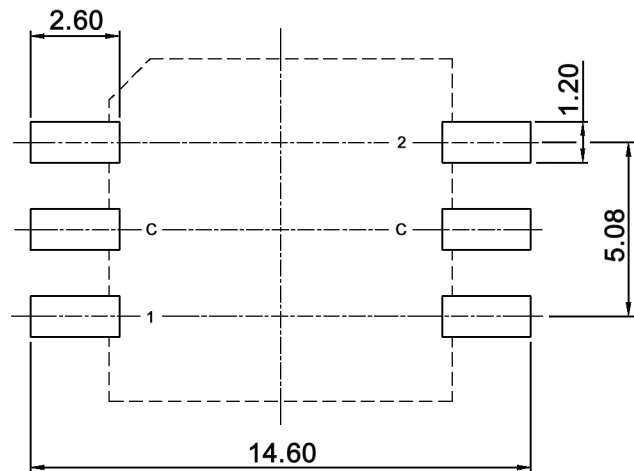


coplanarity failure +/-0.05mm max.



P.C.B. DIMENSION



	Real coded		
	C	1	2
4 P o s i t i o n s	0	•	
1	•	•	
2	•		•
3	•	•	•



Tolerances:			Date	Name
			01/08	dr
IP rating	07/09	dr		
Operating temperature	11/08	dr		
Pin assignment	11/08	dr		
Coplanarity failure	08/08	dr		
Packaging	07/08	dr		
Modifications	Date	Name		

SMR 60004-C

knitter-switch

30 13 60

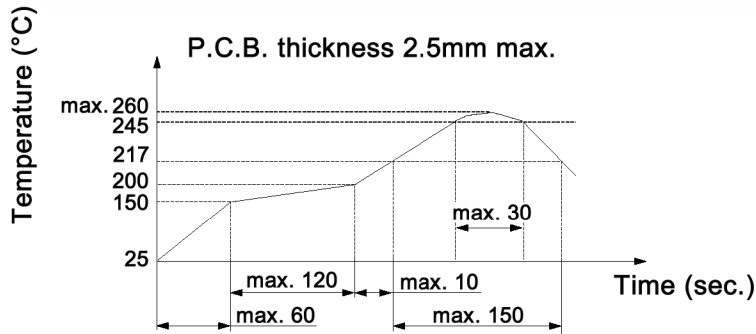
Page

1/3

Specifications:

Contact rating: non-switching: 100mA, 50V DC
switching: 15mA, 24V DC
Contact resistance: 80mOhm max.
Insulation resistance: 100MOhm min. at 250V DC for 1 minute +/-5sec.
Dielectric strength: 250V AC (50/60Hz) for 1 minute
Operating temperature: -40°C to +85°C
Storage temperature: -40°C to +85°C
Mechanical life: 10 000 cycles
Operating force: 700gf/cm max.
Material: Cover / base: PA 6T, black
Actuator: PA 66, STS
Contact / terminal: phosphor bronze, 0.07µ min. gold plated
over 0.1µ min. nickel
PCB: epoxy seal, 0.05µ min. gold plated
O-ring: silicone
IP rating: IP67

Soldering conditions:



The condition mentioned above is the temperature on the Cu foil of PCB surface. It might happen that the board's temperature greatly differs from switch's surface temperature depending on board's material, size, thickness, etc. Therefore, care should be used not to allow switch's surface temperature to exceed 260°C.

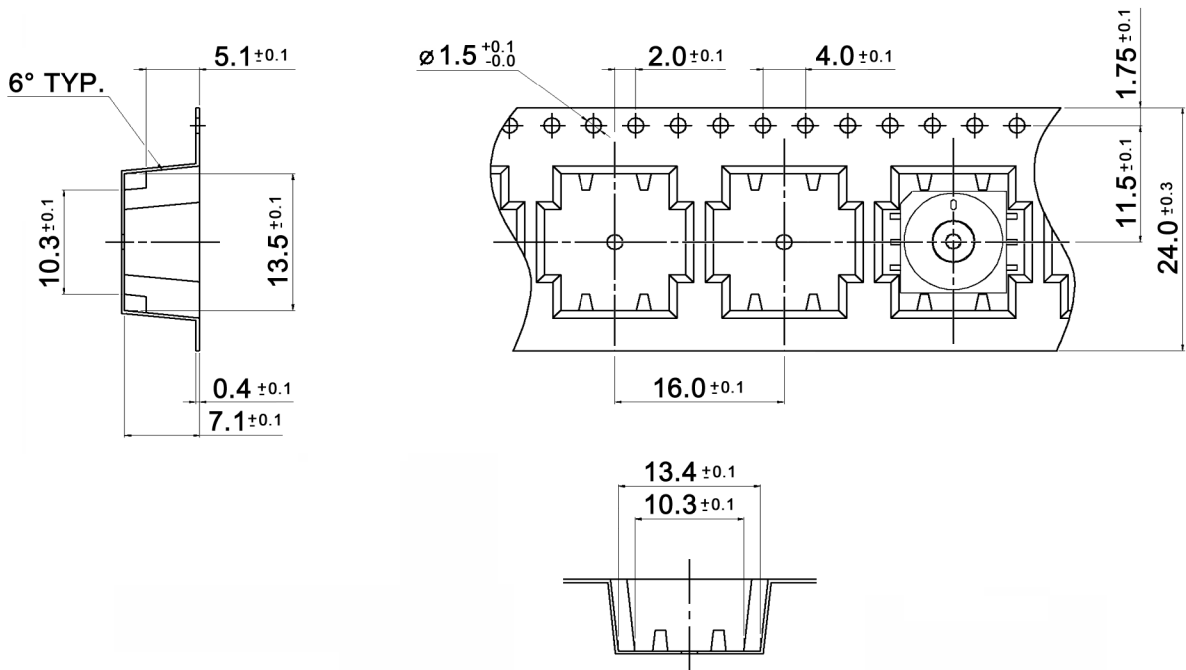
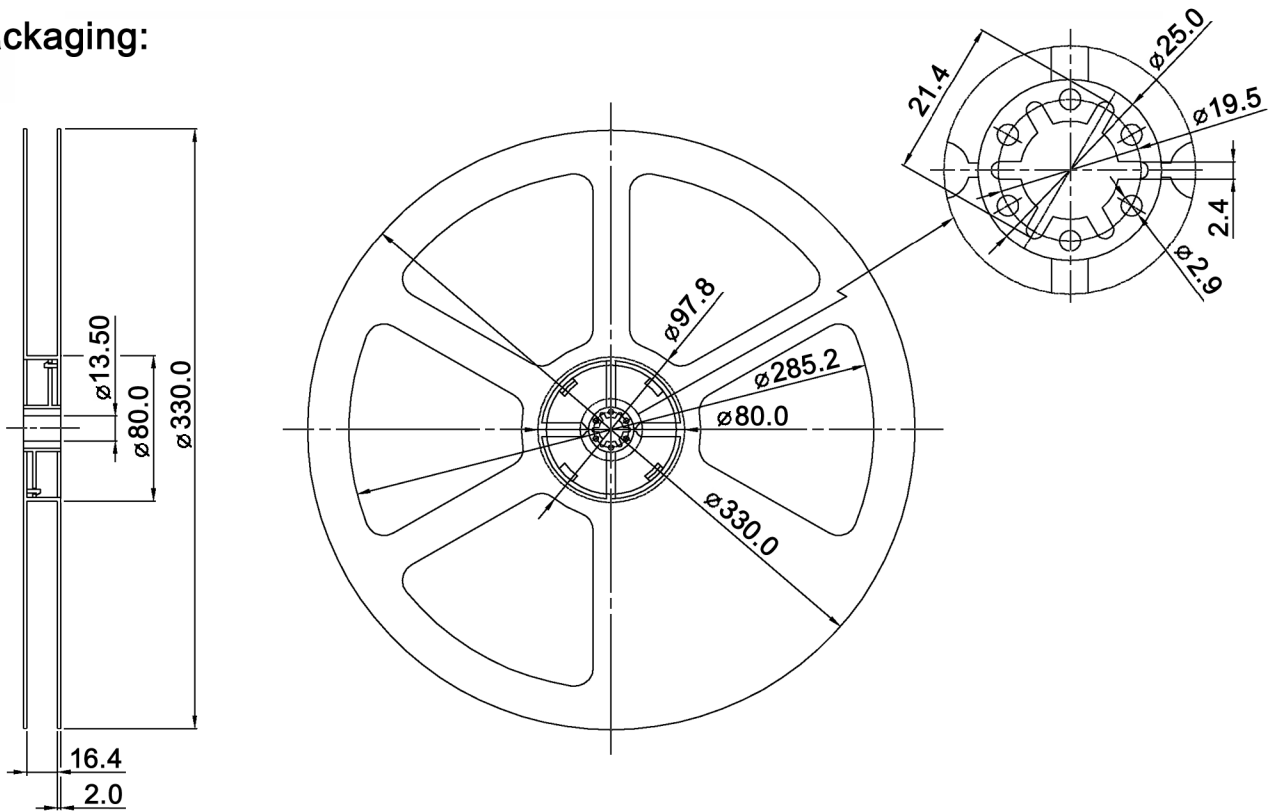
Precautions in handling

Care should be exercised so that flux from the upper part of the printed circuit board does not adhere to the switch.



Tolerances:			Date	Name	SMR 60004-C	30 13 60	knitter-switch	Page
			01/08	dr				2/3
Modifications	Date	Name						

Packaging:



Packaging unit: 600 pcs / reel



Tolerances:			Date	Name	<h1>SMR 60004-C</h1>
			07/08	dr	
			knitter-switch		<h2>30 13 60</h2>
Modifications			Date	Name	Page 3/3