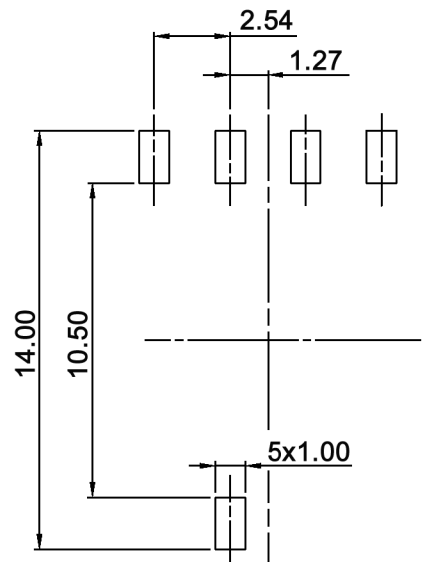


P.C.B. LAYOUT



TYPE	CIRCUIT CHARACTERISTIC															
	CODE	POSITION ● ON														
SMR 5116 T	1	●		●		●		●		●		●		●		●
	2	●	●			●	●			●	●			●	●	
	4	●	●	●	●					●	●	●	●			
	8	●	●	●	●	●	●	●	●							



Tolerances: ±0.20mm max.		Date	Name
		01/08	dr
Delivery position	11/11	dr	
Dimensions	03/09	dr	
Specifications	03/09	dr	
Operating force	06/08	dr	
Operating temperature	04/08	dr	
Modifications	Date	Name	

SMR 5116 T

30 13 29

knitter-switch

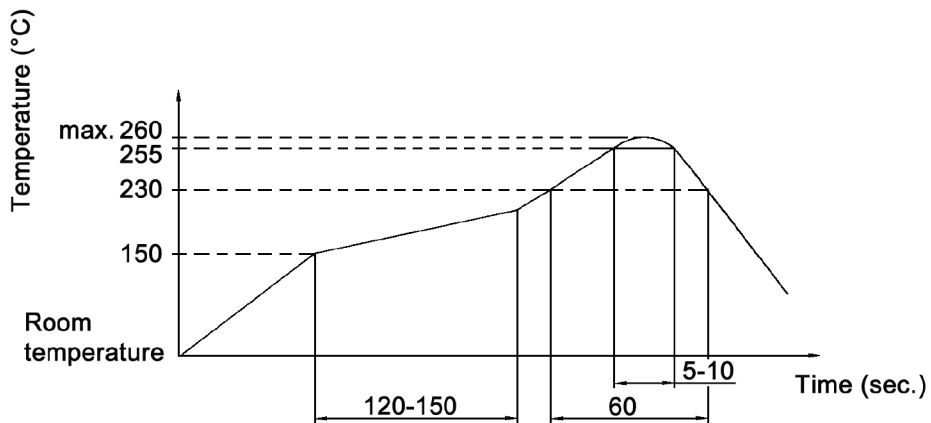
Page

1/2

Specifications:

Contact rating: non-switching: 100mA, 50V DC
 switching: 30mA, 15V DC
Contact resistance: 100mOhm max.
Insulation resistance: 1 000MOhm min. at 250V DC
Dielectric strength: 250V AC for 1 minute
Operating temperature: -40°C to +85°C
Mechanical life: 20 000 cycles min.
Operating force: 250 gf.cm max.
Material: Base / cover: high-temp. thermoplastic nylon UL94V-0,
 molded black
 Movable contact: alloy copper, gold plated
 Actuator: high-temp. thermoplastic nylon UL94V-0,
 color: red
 O-ring: silicone
 Spring: stainless steel
 Terminal: brass, gold plated

Soldering conditions: IR reflow: 260 +/-5°C, 4-6sec.



Tolerances: ±0.20mm max.			Date	Name	<h1>SMR 5116 T</h1>
			03/09	dr	
			knitter-switch		<h2>30 13 29</h2>
Modifications			Date	Name	Page 2/2