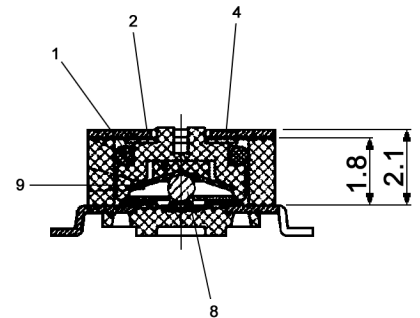
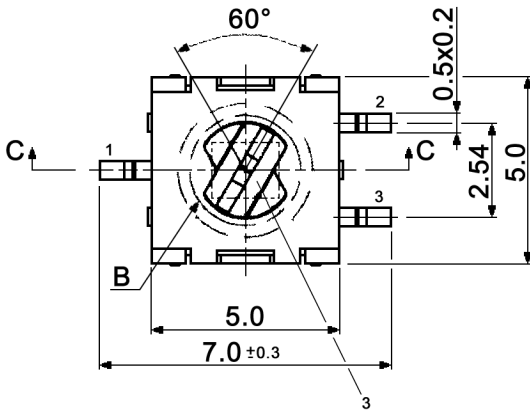
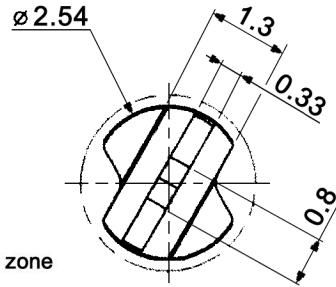
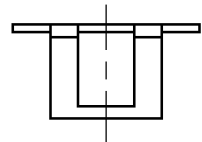


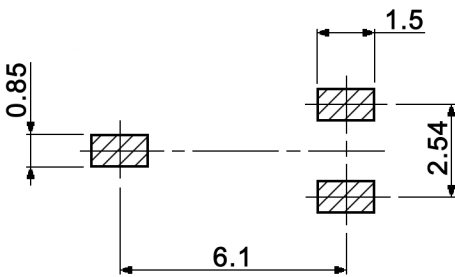
DETAIL B



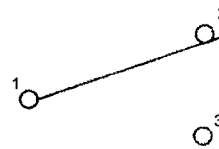
SECTION C-C



P.C.B. LAYOUT (TOP VIEW)



CIRCUIT DIAGRAM  
1: COMMON PIN  
TOP VIEW



Tolerances:	Date	Name
up to 10: ±0.2mm	12/10	dr
above 10-50: ±0.3mm		

**SMR 1-30**

**knitter-switch**

**30 22 60**

Page

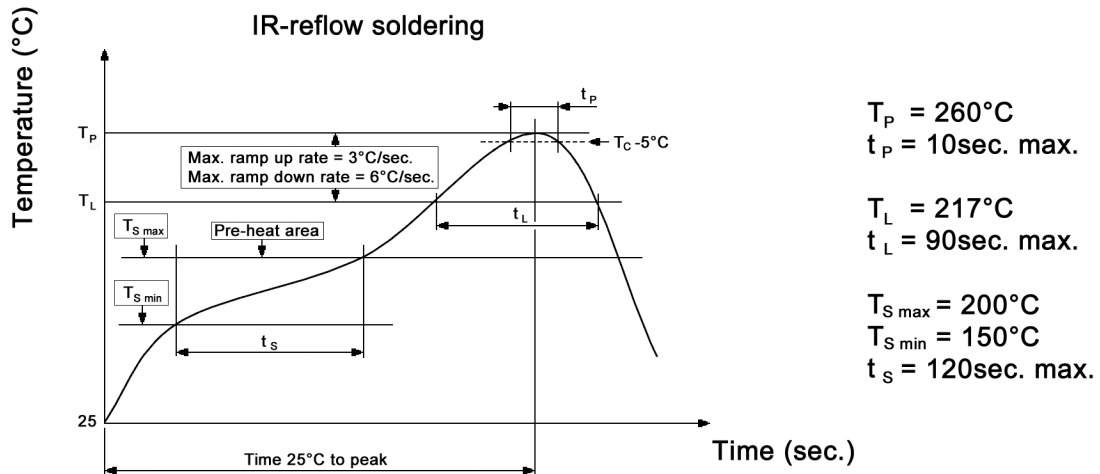
1/3

Modifications      Date      Name

**Specifications:**

Contact rating: 50mA, 12V DC  
 Contact resistance: 100mOhm max.  
 Insulation resistance: 500MOhm min. at 500V DC for 1 minute  
 Dielectric strength: 500V AC (50Hz, 2mA) for 1 minute  
 Operating temperature: -30°C to +85°C  
 Operating force: 200gf max.  
 Material:  
 1 - O-ring: silicone rubber, black  
 2 - Rubber piece: silicone rubber, black  
 3 - Stem: LCP, dark grey  
 4 - E-ring: stainless steel, washing  
 5 - Case: LCP, dark grey  
 6 - Cover: stainless steel, washing  
 7 - Terminal: brass, 0.25µm gold plated  
 8 - Lever supporter: brass, 0.5µm gold plated  
 9 - Spring plate: stainless steel, washing

**Soldering conditions:**



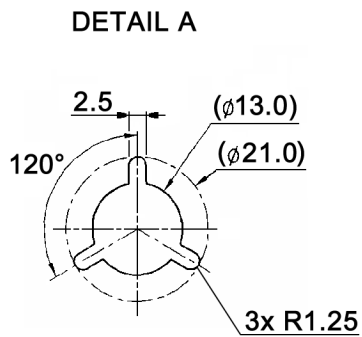
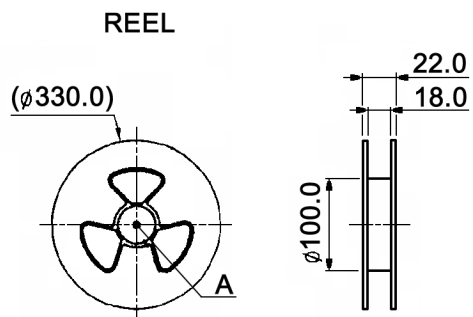
Tolerances: up to 10: ±0.2mm above 10-50: ±0.3mm	Date	Name
	12/10	dr

**SMR 1-30**

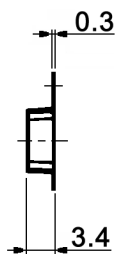
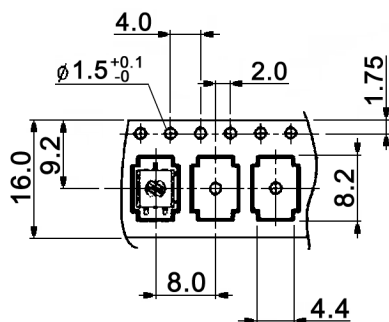
			<b>knitter-switch</b>
Modifications	Date	Name	

**30 22 60**

Packaging:



CARRIER TAPE



COVER TAPE



Packaging unit: 2000 pcs. / reel



Tolerances: up to 10: ±0.2mm above 10-50: ±0.3mm	Date	Name
	12/10	dr
Modifications	Date	Name

**SMR 1-30**

**knitter-switch**

**30 22 60**

Page

3/3